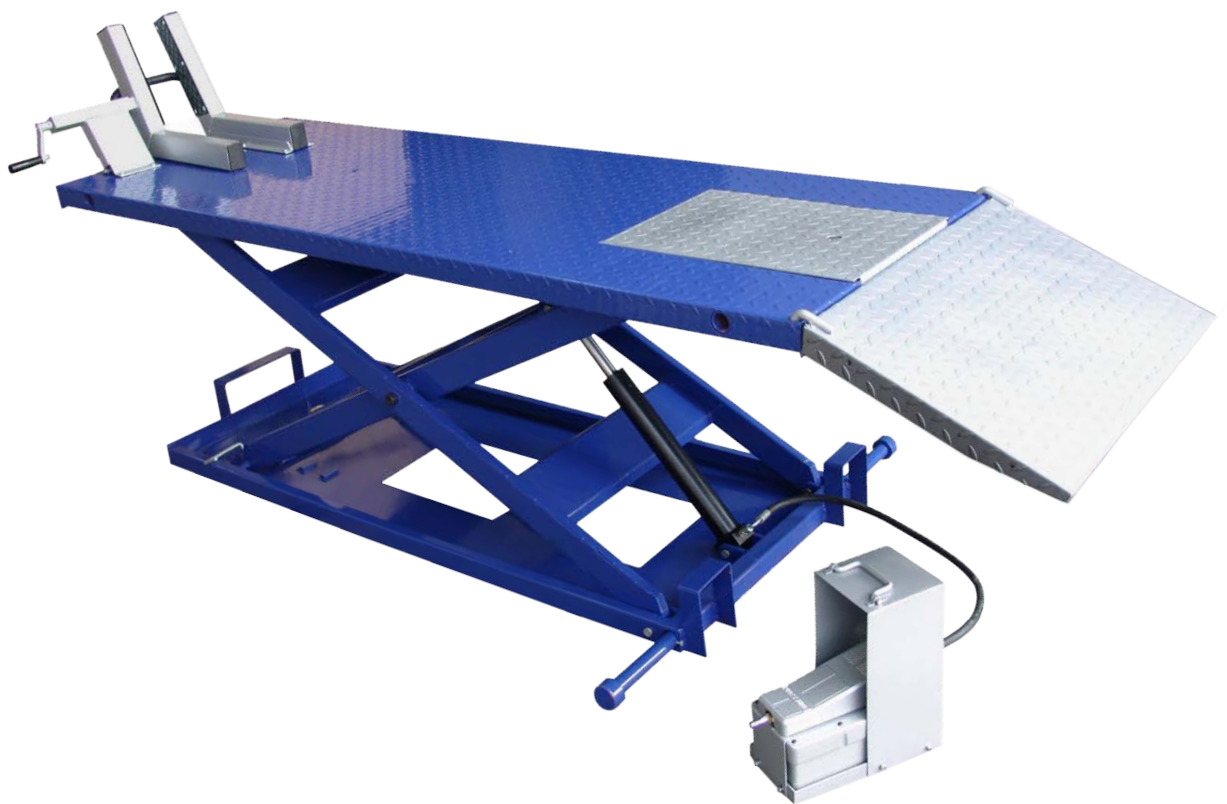


# **M-1500C-HR**

## **1500 lb Capacity**

## **High Rise Motorcycle Lift**

OPERATION MANUAL



REV A-081513



## MOTORCYCLE LIFTS

*These lift tables are ideal for making repairs to motorcycles, snowmobiles, ATVs, jet skis, etc. Choose from a range of accessories to customize these tables for your shop.*

**M-1500C-HR**  
Motorcycle lift  
shown with standard  
accessories



### Features:

- ◆ 1,500 lb. lifting capacity
- ◆ Air/hydraulic pump
- ◆ Ideal for motorcycles, snowmobiles, ATVs, jet skis, etc.
- ◆ Extra-large platform
- ◆ 38" working height
- ◆ Side extensions and vise come standard
- ◆ Built in drop-out panel

### SPECIFICATIONS:

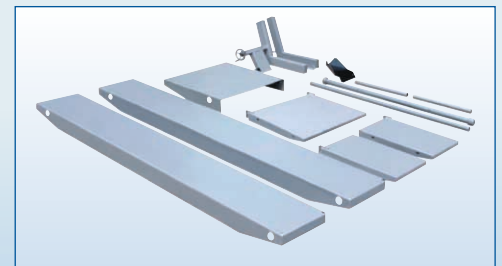
	M-1000C	M-1500C-HR
Lifting capacity	1,000 lbs.	1,500 lbs.
Low height	7"	6 ¾"
Lifting height	30"	38 ½"
Table dimensions	84" x 24"	88 ½" x 31 ½"
Table dimensions (with side ext.)	84" x 48"	88 ½" x 50"
Shipping weight	420 lbs.	780 lbs.

**M-1000C**  
Motorcycle lift  
shown with options

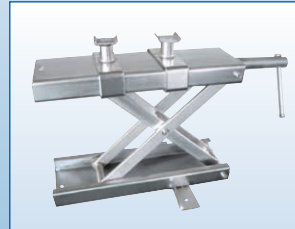


### Features:

- ◆ 1,000 lb. lifting capacity
- ◆ Air-powered lift
- ◆ Ideal for motorcycles, snowmobiles, ATVs, jet skis, etc.
- ◆ Extra-large platform
- ◆ 30" working height
- ◆ Choose from a range of accessories to customize this table for your shop



### -Options



#### Mini jack

Lifting range 3 ¾" to 15 ¾". Spin-up adapters

#### 12" Side extensions (Set of 2)

Ideal for four wheelers or extra work space. Expands width of table from 24" to 48". Ramp extensions included.

#### Cycle vise

Lock your bike upright with our optional cycle vise.

#### 13" Front extension

If you need to work on a long bike. This extends the table to 93".

# **TUXEDO DISTRIBUTORS LIMITED WARRANTY**

## **Structural Warranty:**

The following parts and structural components carry a five year warranty:

Columns	Top Rail Beam	Uprights	Arms Swivel Pins
Legs	Carriages	Tracks Overhead Beam	Cross Rails

## **Limited One-Year Warranty:**

Tuxedo Distributors, LLC ("Tuxedo") offers a limited one-year warranty to the original purchaser of Tuxedo lifts and Wheel Service in the United States and Canada. Tuxedo will replace, without charge, any part found defective in materials or workmanship under normal use, for a period of one year after purchase. The purchaser is responsible for all shipping charges. This warranty does not apply to equipment that has been improperly installed or altered or that has not been operated or maintained according to specifications.

## **Other Limitations:**

This warranty does not cover:

1. Parts needed for normal maintenance
2. Wear parts, including but not limited to cables, slider blocks, chains, rubber pads and pulleys
3. Replacement of lift and tire changer cylinders after the first 30 days. A seal kit and installation instructions will be sent for repairs thereafter.
4. On-site labor

Upon receipt, the customer must visually inspect the equipment for any potential freight damage before signing clear on the shipping receipt. Freight damage is not considered a warranty issue and therefore must be noted for any potential recovery with the shipping company.

The customer is required to notify Tuxedo of any missing parts within 72 hours. Timely notification must be received to be covered under warranty.

Tuxedo will replace any defective part under warranty at no charge as soon as such parts become available from the manufacturer. No guarantee is given as to the immediate availability of replacement parts.

Tuxedo reserves the right to make improvements and/or design changes to its lifts without any obligation to previously sold, assembled or fabricated equipment.

There is no other express warranty on the Tuxedo lifts and this warranty is exclusive of and in lieu of all other warranties, expressed or implied, including all warranties of merchantability and fitness for a particular purpose.

To the fullest extent allowed by law, Tuxedo shall not be liable for loss of use, cost of cover, lost profits, inconvenience, lost time, commercial loss or other incidental or consequential damages.

This Limited Warranty is granted to the original purchaser only and is not transferable or assignable.

Some states do not allow exclusion or limitation of consequential damages or how long an implied warranty lasts, so the above limitations and exclusions may not apply. This warranty gives you specific legal rights and you may have other rights, which may vary from state to state.

## SPECIFICATIONS

Model	M-1500C-HR / ( 243292)
Capacity	1500lbs (680Kg )
Operating Pressure	0.8-1.0Mpa (116-145psi)
Lowered Height	6-11/16" (170mm )
Raised Height	38-1/2" ( 980mm )
Platform (L x W) (with extension)	88-9/16" * 31-1/2" ( 2250mm * 800mm ) 88-9/16" * 50" ( 2250mm * 1270mm )
Shipping weight (with extension)	462lbs ( 210Kg ) 616lbs ( 280Kg)

## FEATURES:

- Made of Heavy-Duty Diamond Plate
- Professional Air Hydraulic Pump with Protection Case
- Extra-High 980mm ( 38-1/2") for Easy Service Operation
- Extra-Wide Platform 800mm ( 31-1/2"). 1270mm ( 50") with Side Extensions
- Single Hydraulic Lifting Cylinder
- Cut-Out for easy access to rear wheel

## STANDARD ACCESSORIES

- (1) 9-1/4" (235mm) side extensions.
- (2) Approach ramps for side extensions
- (3) Four connecting rods to support the side extension.
- (4) Set of pins to secure the rods
- (5) Rear poles for fixing the motorcycle on platform
- (6) Front Wheel Vise

## **ASSEMBLING**

- (1) Open the carton. Remove lift.
- (2) Connect the hose from the cylinder to the air-hydraulic pump.
- (3) Connect the compressed air ( Max 100 psi) supply to the air-hydraulic pump.
- (4) Press the pedal of the air-hydraulic pump to raise up the lift.
- (5) Put on the front wheel vise and then tighten all the bolts and nuts. (optional)
- (6) Put on the side extensions with rods and securing pins. Remember to insert the balance bar. (optional)
- (7) Lower the lift by raising the safety bar and releasing the pump pedal. Then put on all the ramps.
- (8) Without any load, lift and lower the lift several times to remove air from cylinder.

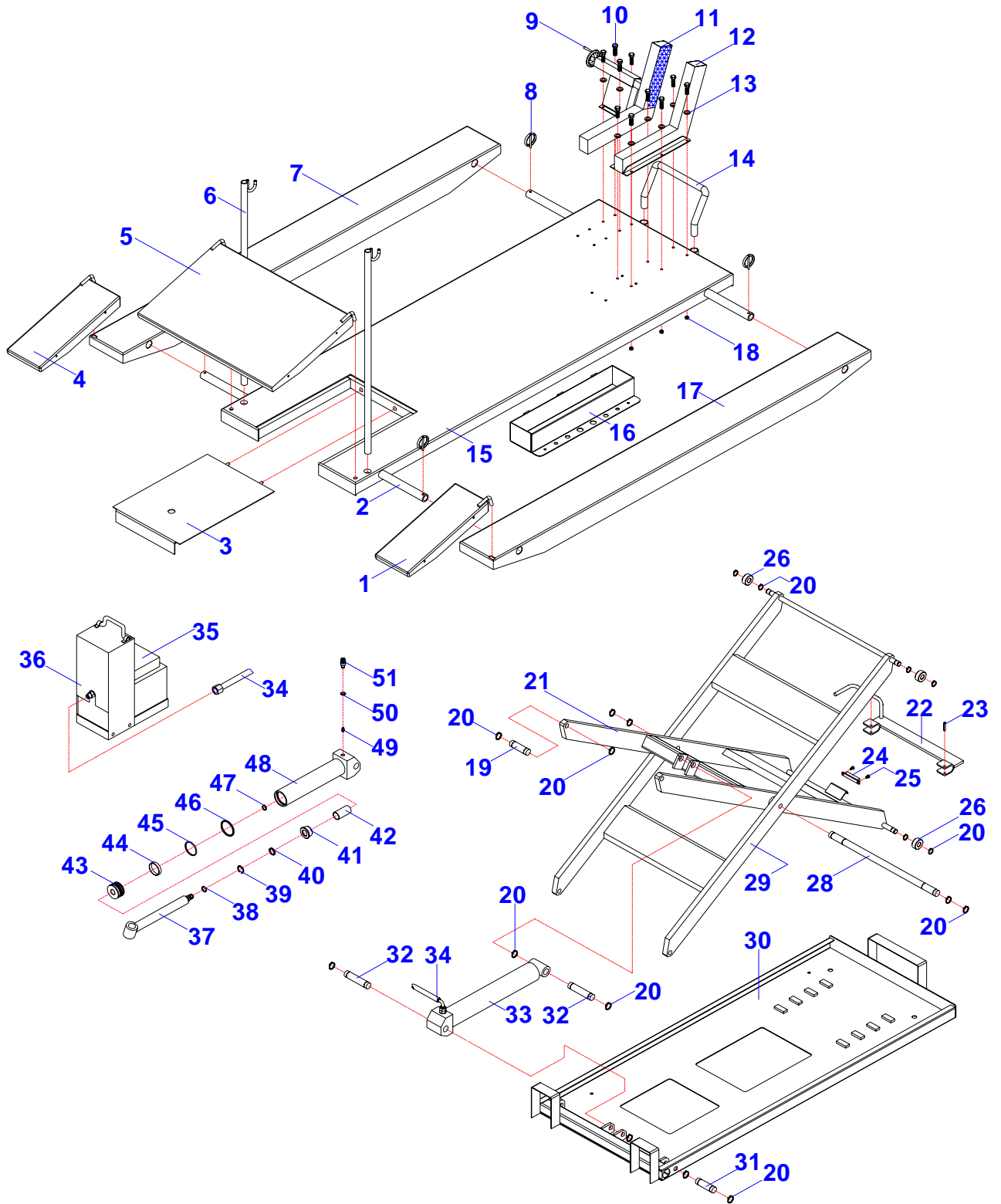
## **OPERATION**

1. Loads must be centered on platform at all times.
2. Loads must be firmly positioned and secured on platform at all times.
3. All moving parts have been lubricated at the factory and should be re-lubricated every (6) months.
4. Pivot shaft set screws should be checked frequently to be sure they are tight. These are located at the top end of the inside frame assembly.

## **WARNING**

1. Keep safety bar in position at all times – except when lowering.
2. Keep hands and tools from under carriage.
3. Do not ride vehicle onto lift.
4. Lift must be in the lowered position when moving.
5. Foot operated AIR-HYDRAULIC pump should be at least 3 feet away from Lift during raising and lowering.
6. Lift is recommended for indoor use only.

# PARTS DRAWING



## PARTS CODE LIST

ITEM	DESCRIPTION	QTY
1	Small ramp(Right)	1
2	Connecting shaft	4
3	Small platform assy	1
4	Small ramp(Left)	1
5	Ramp	1
6	Support shaft assy	2
7	Side extension(Left)	1
8	Position pin	4
9	Thread shaft assy	1
10	Hex bolt	14
11	Fixed plate assy(1)	1
12	Fixed plate assy(2)	1
13	Flat washer	14
14	Limit shaft	1
15	Platform assy	1
16	Tool box	1
17	Side extension(Right)	1
18	Hex nut	14
19	Spindle(1)	2
20	Elastic washer	18
21	Frame assy(1)	1
22	Safety assy	1
23	Elastic spindle	2
24	Magnet	1
25	Hex bolt	2
26	Idler wheel	4
28	Spindle(4)	1
29	Frame assy(2)	1
30	Underframe assy	1
31	Spindle(2)	2
32	Spindle(3)	2
33	Cylinder assy	1
34	Oil hose	1
35	Gear pump	1
36	Gear pump cover assy	1
37	Piston rod assy	1
38	O-ring	1
39	Elastic washer	1
40	Dust ring	1



<b>ITEM</b>	<b>DESCRIPTION</b>	<b>QTY</b>
41	Cylinder cover	1
42	Position ring	1
43	Piston	1
44	Guide ring	1
45	O-ring	1
46	U-ring	1
47	Elastic washer	1
48	Cylinder jointing assy	1
49	Throttling valve assy	1
50	Red copper washer	1
51	Union	1