

Installer: Leave this manual with the appliance. Consumer: Retain this manual for future reference.



# OPERATING INSTRUCTIONS AND OWNER'S MANUAL

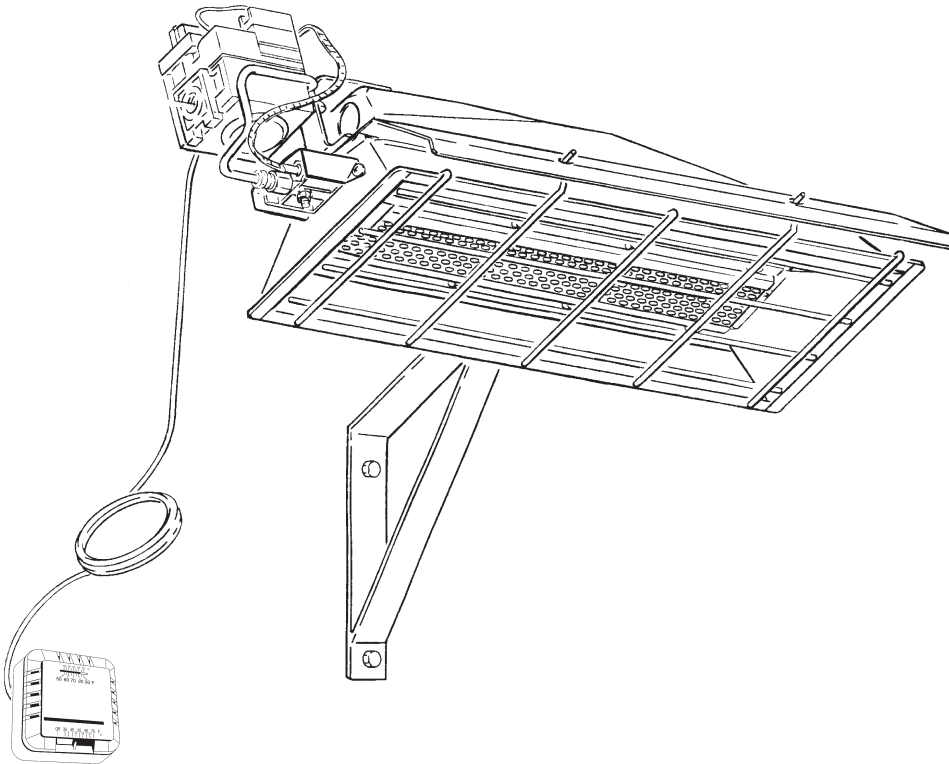
Model #

HS25NG

HS22LP

**READ INSTRUCTIONS CAREFULLY:** Read and follow all instructions. Place instructions in a safe place for future reference. Do not allow anyone who has not read these instructions to assemble, light, adjust or operate the heater.

## GAS FIRED INFRA-RED WORKSHOP HEATER



### LANGUAGES

#### ENGLISH

Pages E1 — E16

#### SPANISH

Pages S1 — S16

#### FRENCH

Pages F1 — F16

**⚠ WARNING:** If the information in this manual is not followed exactly, a fire or explosion may result causing property damage, personal injury, or loss of life.

- Do not store or use gasoline or other flammable vapors and liquids in the vicinity of this or any other appliance.
- WHAT TO DO IF YOU SMELL GAS
  - Shut off gas supply
  - Do not try to light any appliance
  - Do not touch an electrical switch; do not use any phone in your building.
  - Immediately call your gas supplier from a neighbor's phone. Follow the gas supplier's instructions.
  - If you cannot reach your gas supplier, call the fire department.
- Installation and service must be performed by a qualified installer, service agency, or the gas supply

**⚠ WARNING:** This is an unvented gas-fired heater. It uses air (oxygen) from the room in which it is installed. Provisions for adequate combustion and ventilation air must be provided. Refer to Fresh Air for Combustion and Ventilation section on page 6 of this manual.

**⚠ WARNING:** Improper installation, adjustment, alteration, service or maintenance can cause property damage, injury or death. Read the installation, operation, and maintenance instructions thoroughly before installing or servicing this equipment. For assistance or additional information consult a qualified installer, service agency, or gas supplier.

## WARNINGS

**⚠ WARNING:** Improper installation, adjustment, alteration, service or maintenance can cause property damage, injury or death. Read the installation, operation, and maintenance instructions thoroughly before installing or servicing this equipment. For assistance or additional information consult a qualified installer, service agency, or gas supplier.

**⚠ WARNING:** When used without fresh air, heater may give off CARBON MONOXIDE, an odorless poisonous gas. OPEN WINDOW AN INCH OR TWO FOR FRESH AIR WHEN USING HEATER.

**⚠ WARNING:** This heater is equipped with a PILOT LIGHT SAFETY SYSTEM. DO NOT TAMPER WITH PILOT LIGHT SAFETY SYSTEM.

**⚠ WARNING:** If heater shuts off, do not relight until you provide fresh air. If heater keeps shutting off, have it serviced. Keep burner and control clean. Open door for 5 minutes.

Maintain clearances as shown in Figure 2 or on heater nameplate.

- DO NOT USE MATCH OR OTHER FLAME FOR LEAK TESTING.
- DO NOT EXCEED 1/2 PSI INLET PRESSURE TO HEATER.

**DANGER:** Carbon monoxide poisoning may lead to death.

## Carbon Monoxide Poisoning:

Early signs of carbon monoxide poisoning resemble the flu, with headaches, dizziness, or nausea. If you have these signs, the heater may not be working properly. Get fresh air at once! Have heater serviced. Some people are more affected by carbon monoxide than others. These include pregnant women, persons with heart or lung disease or anemia, those under the influence of alcohol, and those at high altitudes.

## CAUTION

- Never connect gas valve or thermostat to line voltage or a transformer.
- If the infra-red color of the grid becomes dull when the building furnace is operating, consult gas supplier on correct gas supply piping sizes.
- This heater is for indoor installation only!

## NOTE

Gasket binder material used in this heater assembly will temporarily emit an odor and/or vapor. This condition will clear up in approximately 20 minutes and thereafter will not reoccur. Refer to Chapter 2 for ventilation.

## WARNING:

**⚠ The State of California requires the following warning:**

COMBUSTION BY-PRODUCTS PRODUCED WHEN USING THIS PRODUCT CONTAIN CARBON MONOXIDE, A CHEMICAL KNOWN TO THE STATE OF CALIFORNIA TO CAUSE CANCER AND BIRTH DEFECTS (OR OTHER REPRODUCTIVE HARM).

## TABLE OF CONTENTS

Chapter	Title	Page
I	Introduction.....	E3
II	Heater Installation .....	E5
III	Heater Operating Instructions .....	E10
IV	Operator Maintenance Instructions .....	E12
V	Replacement Parts List .....	E15

# CHAPTER I INTRODUCTION

## 1. EQUIPMENT

This heater is the consumer version of our highly successful, thoroughly tested, gas fired, infrared, industrial utility heater.

This heater does not require an external electrical source for operation.

The major components of the heater and a typical installation are identified in Figure 1. The basic heater consists of the complete burner assembly, flue deflector, grid, reflector assembly and face guard.

## 2. PURPOSE OF EQUIPMENT

### WARNINGS

- ⚠ This heater is for indoor installation only.
- ⚠ This heater is designed to heat indoor areas. Do not use for inhabited or small, enclosed areas.

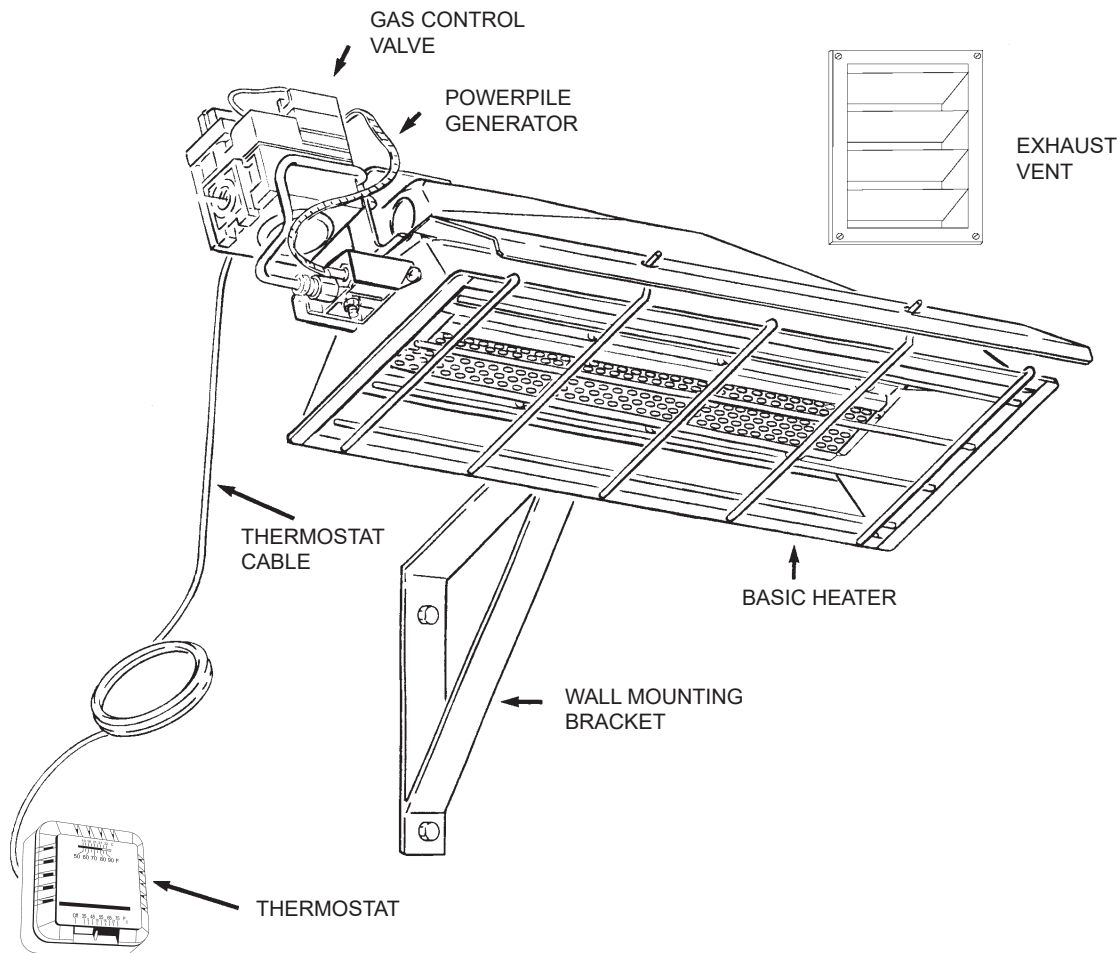


Figure 1. Heater Major Components

### 3. GENERAL INFORMATION

- Your heater comes fully assembled and is tested at the factory with the appropriate type of gas and at the input pressures stated on the nameplate.
- Upon receipt and prior to attempting installation, be sure to inspect the heater and its packaging for damage and/or missing components. If damage is found or missing components are suspected, contact your dealer. See Chapter 5 for a complete listing of items required for the safe and efficient installation and use of this heater.
- Never attempt to operate the heater using a fuel other than that specifically identified on the nameplate.
- The installation of the heater must conform with all local building codes or, in absence of governing local codes, with the National Fuel Gas Code, ANSI Z223.1 (NFPA 54). This code can be obtained from either the: Canadian Standards Association, 8501 East Pleasant Valley Road, Cleveland, OH 44131; or, NFPA, Battery March Park, Quincy, MA 02269.
- Canadian installations must comply with CAN/CGA-B149.1.2 gas code which can be purchased from Canadian Gas Association, 55 Scarsdale Road, Don Mills, Ontario M3B 2R3.
- Contact factory when appliance is to be installed at high altitudes. Factory can supply high altitude conversion kit with instructions and data plate.
- A plugged 1/8" N.P.T. Test Gage Connection is provided on the heater gas control.
- See Tables 1 and 2 for heater specifications:**

**⚠ WARNING:** Improper installation, adjustment, alteration, service or maintenance can cause property damage, injury or death. Read the installation, operation, and maintenance instructions thoroughly before installing or servicing this equipment. For assistance or additional information consult a qualified installer, service agency, or gas supplier.

- For additional information contact Mr. Heater Toll-Free 866-447-2194—www.mrheater.com

The following extra NFPA Manuals are helpful when installing this heater in a location not anticipated in this manual:

Number	Related Subject
NFPA 88	Clearances to Combustible Surfaces
NFPA 409	Clearances to Combustible Surfaces

**⚠ DO NOT EXCEED 1/2 PSI INLET PRESSURE TO HEATER**

Provide adequate clearance to combustibles per Table 3 at control end of heater for servicing and minimum on top and sides for ventilation and combustion air supply.

A minimum clearance of 8' above floor for public garages in accordance with NFPA No. 88 most recent edition, or Figure 1; whichever is larger.

Canadian installations in public garages must comply with CGA 149B.1.9 most recent edition.

**⚠ WARNING:** Maintain clearances as shown in Figure 2 or on heater nameplate.

**Table 1. BTU Ratings and Supply Pressures**

MODEL NO.	BTU/HR. RATING		GAS SUPPLY PRESSURE (W.C.)						ORIFICE SIZE	
	GAS		MIN.		MAX.		MANIFOLD			
	NATURAL	PROPANE	NAT.	L.P.	NAT.	L.P.	NAT.	L.P.	NAT.	L.P.
MH/HS25NG	25,000	—	7.0"	—	14"	—	6"	—	45	—
MH/HS22LP	—	22,000	—	11"	—	14"	—	10"	—	55

**Table 2. Heater Dimensions and Orifice Sizes**

MODEL NO.	OPERATING PRESSURE	ORIFICE SIZE		INPUT BTU/H	SIZE			
		BURNER	PILOT		WIDTH	LENGTH	HEIGHT	WEIGHT
MH/HS25NG	6.0"w.c.	45	.018	25,000	12-1/4"	29-3/4"	7"	20 lb.
MH/HS22LP	10"w.c.	55	.011	22,000	12-1/4"	29-3/4"	7"	20 lb.

# CHAPTER II HEATER INSTALLATION

## 1. GENERAL INSTALLATION INFORMATION AND REQUIREMENTS

- The required minimum clearances to combustible surfaces are illustrated in Figure 2 and Table 3. As shown on Figure 2, the front of the heater is installed at the minimum required clearance to

combustible surfaces and toward open space, and then the other sides must have a minimum clearance of 16 inches to combustible surfaces.

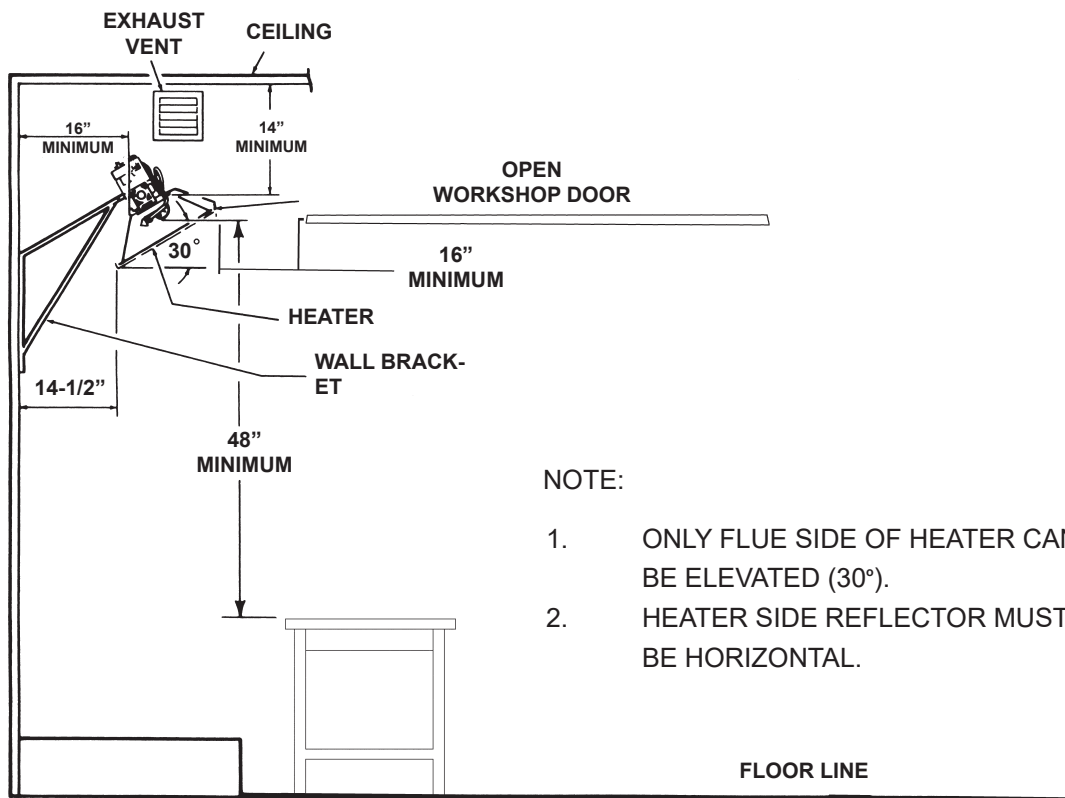


Figure 2. Installation Clearances to Combustible Surfaces

Table 3. Installation, Ventilation and Mounting Information

MODEL NO.	BTU/HR. RATING		NORMAL MOUNTING POSITION	CLEARANCES TO COMBUSTIBLE SURFACES			
	GAS			TOP	SIDES	BACK	BELOW
	NAT.	L.P.					
MH/HS25NG	25,000	—	30°	14"	16"	16"	48"
MH/HS22LP	—	22,000	30°	14"	16"	16"	48"

- This heater may be mounted on any wall; however, it is recommended that the heater be mounted in the middle of the wall opposite any overhead doors.
- When selecting installation locations for this heater ensure that the opening of any exterior or interior doors or windows will not violate minimum clearances or contact any heater components.
- If an overhead door is installed in the building, verify that the heater is not installed in such a way as to interfere with door operation and verify that the door in its open position will not reduce clearances below the minimum requirements. Never mount the heater in such a way that would position the heater above an opened overhead door.
- In most cases the infiltration around your uninsulated entry doors and windows will provide enough air flow for efficient heater operation.

## HEATER VENTILATION

Unrestricted air flow during heater operation is essential to prevent the area above the installed heater from overheating. If your workshop/utility building is tightly insulated (including windows, doors, openings, etc.) the following ventilating methods must be followed:

- A single exhaust vent is supplied with your heater for your convenience. This vent must be located above the heater (preferably at the highest point in the building interior) and it must vent to the exterior of the building. An additional vent is available from the factory for those having a finished workshop or utility building.
- An intake vent, or equivalent, from the exterior of the building and having an effective area of 75 square inches must be located below the heater (preferably within 2 feet of the building's floor).
- Openings equivalent to intake vent would be: partially open doors and partially open windows.
- Openings of this size (5 inch by 13 inch, or 3 inch by 25 inch) will prevent dangerous heat buildup above the heater.

Ensure that no gas lines or electrical wiring or conduits will interfere with mounting of the heater to the wall.

Depending on local codes and requirements and the installer's skill level, the sizing and installation of gas lines required to supply the heater may require the

assistance of a professional. If in doubt as to these requirements, discuss the requirements of this manual with the dealer from whom the heater was purchased and your gas supplier, or call our customer service department at 1-866-447-2194.

The selection of the thermostat mounting location is critical to efficient and effective heater operation.

- The thermostat should be mounted about 5 feet above the floor where air can circulate freely around it.
- The thermostat should not be mounted directly to a cold exterior wall without an insulated mounting block.
- The thermostat should not be mounted in direct drafts.
- The thermostat should not be mounted directly below the installed the heater.
- The thermostat should not be installed at a distance that is farther from the heater than the length of the thermostat cable.

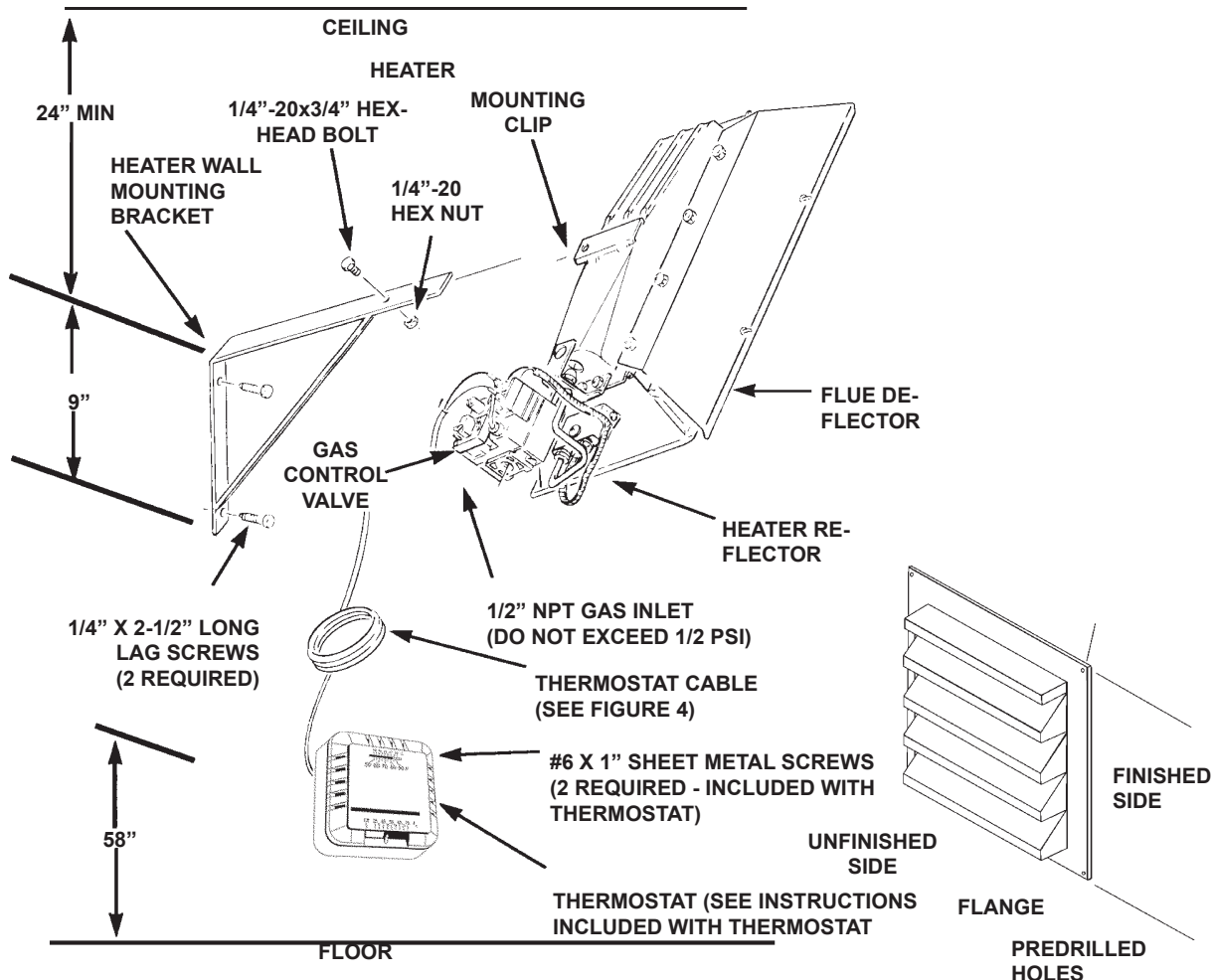
## 2. HEATER MOUNTING INSTRUCTIONS

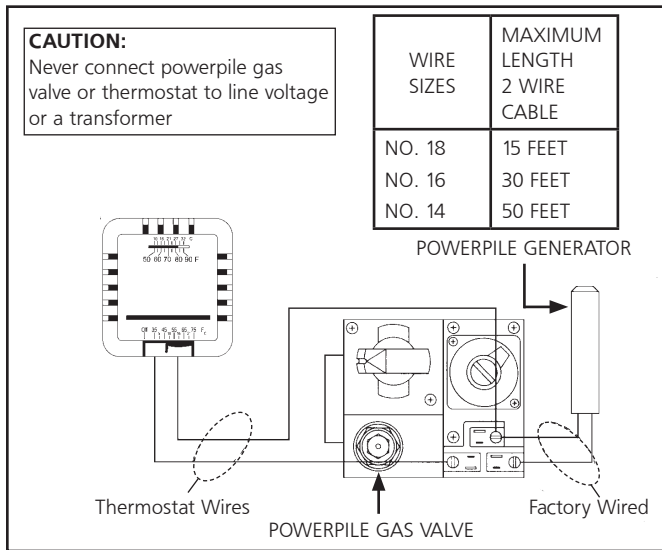
After selecting the heater installation location and the thermostat location and after verifying and ensuring that all of the above placement requirements are fulfilled, mount the heater as follows:

- A. Determine how you wish to install the vent based on the construction of the building and your personal preference. (i.e., do you wish the flanged (finished) side on the interior or the exterior of the building or do you want two vents so that both exterior and interior will be finished?) If needed, order an additional vent from the factory. Our address and toll free phone number are on the rear cover of this manual. Install the vent as follows:
  1. See Figure 3 for dimensions and information on the vent.
  2. Select a place as high above the heater as possible in accordance with the above requirements and ensure that the vent or vents will not contact or interfere with existing building systems (i.e., ducts, wiring, plumbing, etc.)
  3. Place the unfinished side of the vent against the wall in its elected location and trace its dimensions on the wall with a pencil or other suitable marker.
  4. Cut or otherwise open a hole in the wall, or walls for finished buildings, having the dimensions of the unfinished side of the vent.

5. Install the vent or vents as desired and retain with 4 suitable fasteners through the predrilled holes in vent flange.
- B. Prepare to install the heater wall mounting bracket as follows:
    1. If the wall mounting bracket is to be attached to a stud and wallboard wall, refer to Figure 3 for dimensions, locate a stud, and drill two 1/8" pilot holes into the stud centerline. Use template for simplified installation.
    2. If the wall mounting bracket is to be attached to a brick or masonry wall, refer to Figure 3 for dimensions. Obtain two 1/4 inch (inside diameter) expansion anchors and determine the correct drill size to be used with them. Drill the appropriate size holes in the brick or masonry to accept the anchors.
  - C. Place the wall mounting bracket on the wall and align the two through holes on the bracket with the pilot holes or anchors. Install 1/4 inch by 2-1/2 inch lag screws through the bracket into the stud or anchors. Tighten securely.
  - D. Locate heater mounting clip on back of heater and select the 1/4" – 20 by 3/4" hex head bolt and 1/4" – 20 hex nut.
    - E. Position the heater as shown in Figure 3 and slide the heater mounting clip over the bracket and install the bolt through the clip and bracket.
    - F. Thread the hex nut onto the bolt and tighten securely.
    - G. Ensure that the selected thermostat location meets all of the above requirements. Refer to the instructions that come with the thermostat for additional grounding information and mounting instruction.
    - H. If the wall is of stud and wallboard construction, then use the #6 by 1 inch sheet metal screws, included with the thermostat, and mount the thermostat in the selected location.
    - I. If wall is brick or masonry, the appropriate anchors must be obtained to accommodate thermostat mounting screws. Use the back plate of the thermostat as a template to mark the hole locations, drill appropriate size anchor holes, install the anchors, securely attach the thermostat using the mounting screws.
    - J. Connect thermostat wires to gas valve as shown in Figure 4.

**Figure 3. Heater Mounting Information**





**Figure 4. Connection Diagram**

Refer to National Electrical Code NFPA70-1993 and for Canadian installations to current CODE C22.1-L

### 3. CONNECTING HEATER TO GAS SUPPLY

**⚠ WARNING:** Depending on local codes and requirements and the installer's skill level, the sizing and installation of gas lines required to safely and efficiently supply the heater may require the assistance of a professional. If in doubt as to these requirements, discuss the requirements of this manual with the dealer from whom the heater was purchased and your gas supplier.

#### 3.1 Gas Supply Requirements

- See Tables 1 and 2 for gas supply minimum, maximum, operating, and manifold pressures for both heater models. Pressures are provided in inches of W.C. (water column). Also, see heater rating plates located on the heater.

**⚠ WARNING:** Model MH/HS25NG is designed to burn natural gas and it comes equipped with a regulator. The regulator is built into the gas valve. The maximum inlet pressure to this regulator is 1/2 psi (14 in. W.C.) If gas line pressure exceeds 1/2 psi, then an additional regulator must be installed before the heater/regulator to step down the pressure to a maximum of 1/2 psi.

- Most residential natural gas services provide a line pressure of 4 oz. (6.9 in. W.C.). If in doubt consult your natural gas supplier.
- To ensure the best performance from your natural gas heater make sure the supply manifold pressure is at least 6" W.C.

**⚠ WARNING:** Model MH/HS22LP is designed to burn liquefied petroleum (LP) gas and it comes equipped with a regulator. The regulator is built into the gas valve. The maximum inlet pressure to this regulator is 1/2 psi (14 in. W.C.). If gas line pressure exceeds 1/2 psi, then an additional regulator must be installed before the heater/regulator to step down the pressure to a maximum of 1/2 psi.

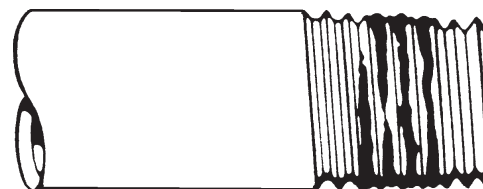
- To ensure the best performance from your LP gas heater, make sure the supply manifold pressure is at least 1/2 psi (14 in W.P.).

#### 3.2 Piping Requirements

All piping installed must comply with local codes and ordinances or with National Fuel Gas Code, ANSI Z223.1 (NFPA 54), whichever takes precedence. When installing piping, the following requirements must be taken into consideration: Canadian installations must comply with the B149.1.2 Gas Code.

- Use new properly reamed black pipe free from chips.
- Apply a good quality pipe compound to all male threads as shown in Figure 5 prior to assembly. If LP gas is the fuel, ensure that pipe compound is resistant to LP gas. Do not use Teflon™ tape.

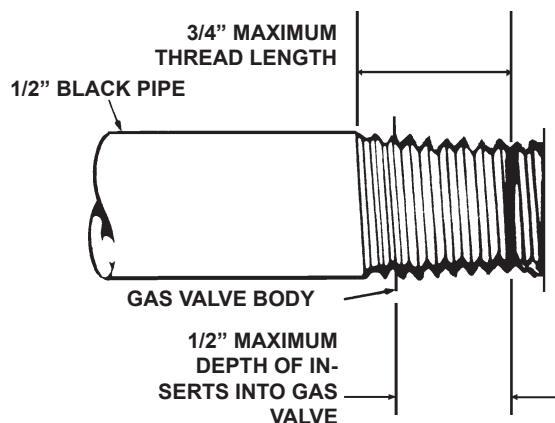
#### USE MODERATE AMOUNT OF PIPE DOPE



LEAVE 2 THREADS BARE

**Figure 5. Pipe Compound Application**

- Male threads on pipe to be installed into gas valve shall meet the requirements of Figure 6. Threads longer than those shown in the figure may cause gas valve distortion and malfunction.
- A sediment trap meeting the typical requirements of Figure 7 shall be installed in the line to the gas valve.
- A dedicated shutoff valve for the heater must be installed in the gas supply line.



**Figure 6. Gas Valve Connection Requirements**



### 3.3 Piping Installation

While ensuring that all of the above gas supply requirements and piping requirements are fulfilled, install piping as follows:

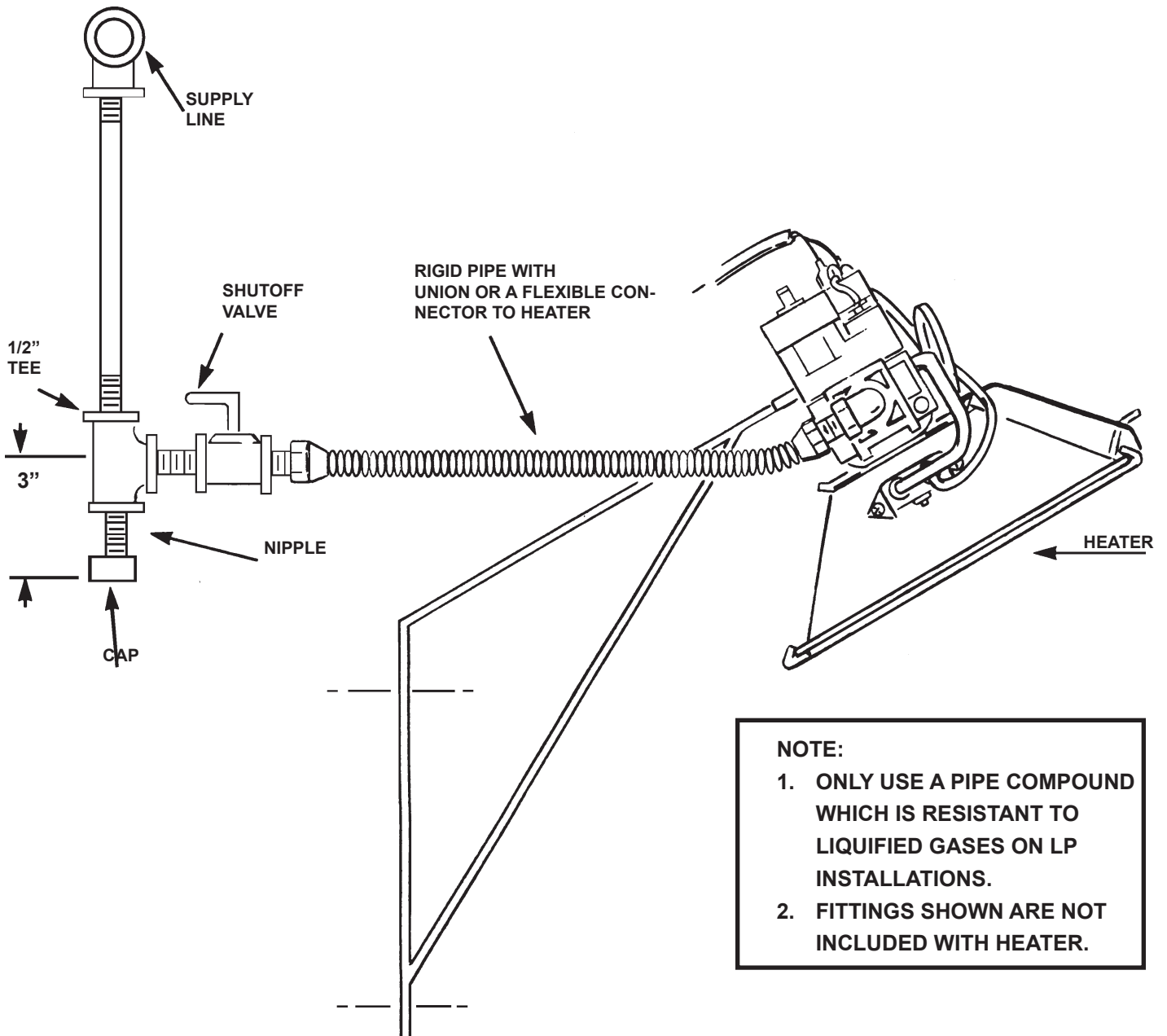
- A. In accordance with the above piping requirements, assemble piping, sediment trap, shutoff valve, and necessary fittings. Tighten all components securely.

**⚠ WARNING:** Failure to ensure that male threads on pipe to be installed into gas valve meet the requirements of Figure 6 may cause gas valve damage, distortion and malfunction.

- B. Install a threaded nipple, prepared in accordance with paragraph 3.2 into gas valve.
- C. Connect gas piping to nipple installed in the gas valve.

**⚠ WARNING:** When testing gas piping use only a soap and water solution. Do not use a match or other flame for leak testing. If during leakage check gas is smelled, turn off the gas supply and ventilate building.

- D. Ensure the building is properly ventilated. Without lighting the pilot light of the heater, open the gas supply valve and pressurize the piping up to the heater's gas valve.
- E. Using a brush, apply a soap and water solution to all connections and look for bubbles indicating a leak. If a leak is detected, turn off gas supply and tighten connections. Retest and tighten connections.



**NOTE:**

1. ONLY USE A PIPE COMPOUND WHICH IS RESISTANT TO LIQUIFIED GASES ON LP INSTALLATIONS.
2. FITTINGS SHOWN ARE NOT INCLUDED WITH HEATER.

Figure 7. Typical Piping Installation

# CHAPTER III HEATER OPERATING INSTRUCTIONS

## 1. OPERATING SAFETY INSTRUCTIONS

- ⚠ WARNING:** When used without fresh air, heater may give off CARBON MONOXIDE, an odorless poisonous gas. OPEN WINDOW AN INCH OR TWO FOR FRESH AIR WHEN USING HEATER.
- ⚠ WARNING:** This heater is equipped with a PILOT LIGHT SAFETY SYSTEM. DO NOT TAMPER WITH PILOT LIGHT SAFETY SYSTEM.
- ⚠ WARNING:** If heater shuts off, do not relight until you provide fresh air. Open door for 5 minutes. If heater keeps shutting off, have it serviced. Keep burner and control clean.
- ⚠ WARNING: CARBON MONOXIDE POISONING MAY LEAD TO DEATH.** Early signs of carbon monoxide poisoning resemble the flu with headache, dizziness and/or nausea. If you have these signs, heater may not be working properly. Get fresh air at once! Have heater serviced.
- ⚠ WARNING: DO NOT USE MATCH OR OTHER FLAME FOR LEAK TESTING.**

**CAUTION:** If the infra-red color of the grid becomes dull when the building furnace is operating, consult gas supplier on correct gas supply piping sizes.

**CAUTION:** This heater is for indoor installation only!

## NOTE

Gasket binder material used in this heater assembly will temporarily emit an odor and/or vapor. This condition will clear up in approximately 20 minutes and thereafter will not reoccur. Refer to Chapter 2 for ventilation.

## 2. HEATER STARTUP

- ⚠ WARNING:** During heater startup ensure that building is well ventilated.

- A. Open the gas supply valve or valves.
- B. Set the thermostat to the OFF position.  
See Figure 8.

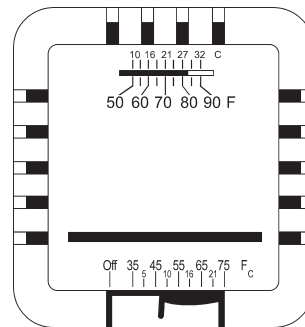


FIGURE 8. THERMOSTAT CONTROLS

- C. If the manual gas control knob on the gas valve is not in the OFF position, partially depress the knob and rotate to the OFF position. See Figure 9.

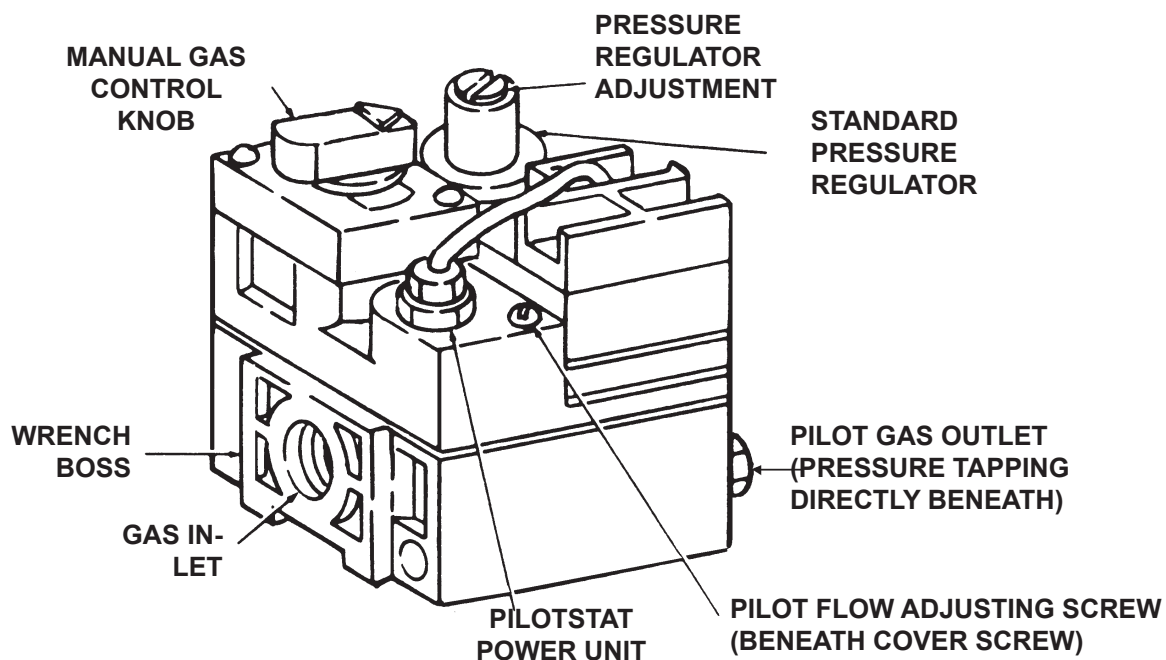


Figure 9. Gas Valve Components

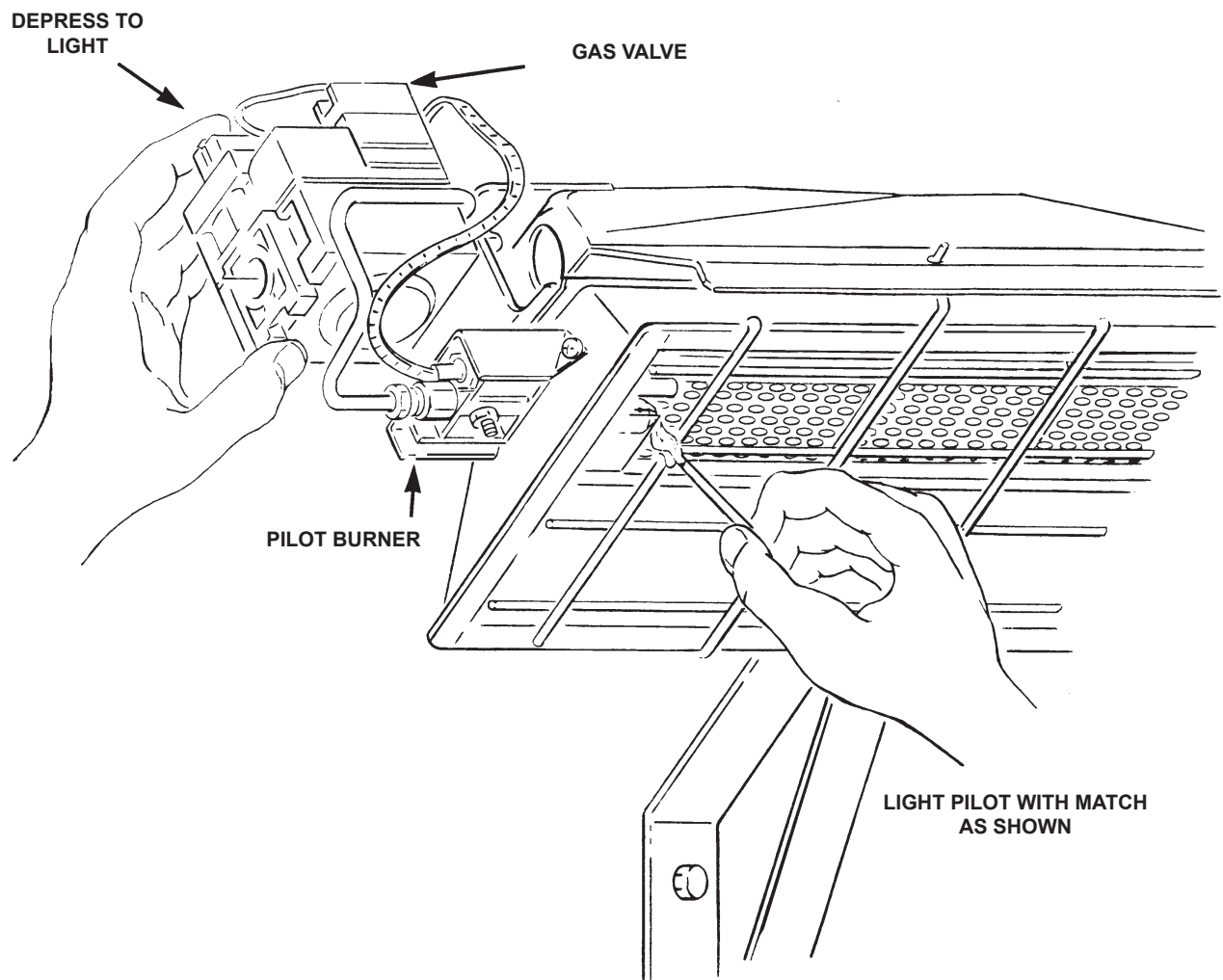
- D. Wait 5 minutes to allow gas that may have accumulated in the main burner to escape (especially important after installation).
- E. Turn the manual gas control knob to the PILOT position.
- F. Depress the manual gas control knob. Using a match, light the pilot light. See Figure 10. Hold the knob down for approximately 30 seconds to allow any air in gas lines to pass through pilot and, once pilot is lit, allow the thermocouple to heat up enough to activate the safety valve in an open position.
- G. Release manual gas control knob and turn to ON.
- H. Reset thermostat to desired temperature.

## NOTE

During the initial startup of heater, an odor and, perhaps, some vapor will come from the heater. This is the gasket binding material emitting this odor and/or vapor. After approximately 20 minutes, this odor will disappear and not occur again.

## 3. HEATER SHUTDOWN

- A. Turn thermostat to OFF.
- B. Turn manual gas control knob on gas valve to PILOT position.
- C. Partially depress knob and rotate to the OFF position.
- D. Close gas supply valves.



**Figure 10. Lighting of Pilot Burner**

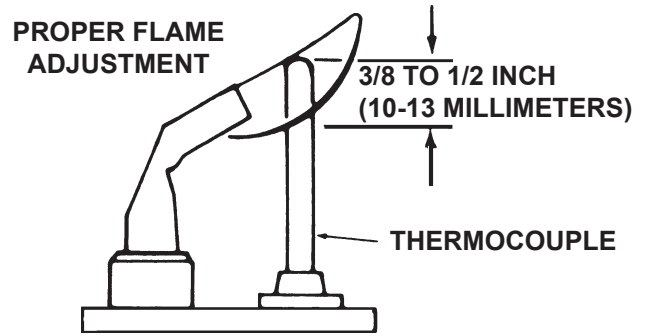
# CHAPTER IV OPERATOR MAINTENANCE INSTRUCTIONS

## 1. TROUBLESHOOTING

- A. Table 4 lists the common malfunctions which you may find during the operation or maintenance of your heater.
- B. For additional information, refer to Honeywell Field Bulletin enclosed in the heater carton.
- C. In the event results cannot be obtained after performing all listed solutions, call the factory.

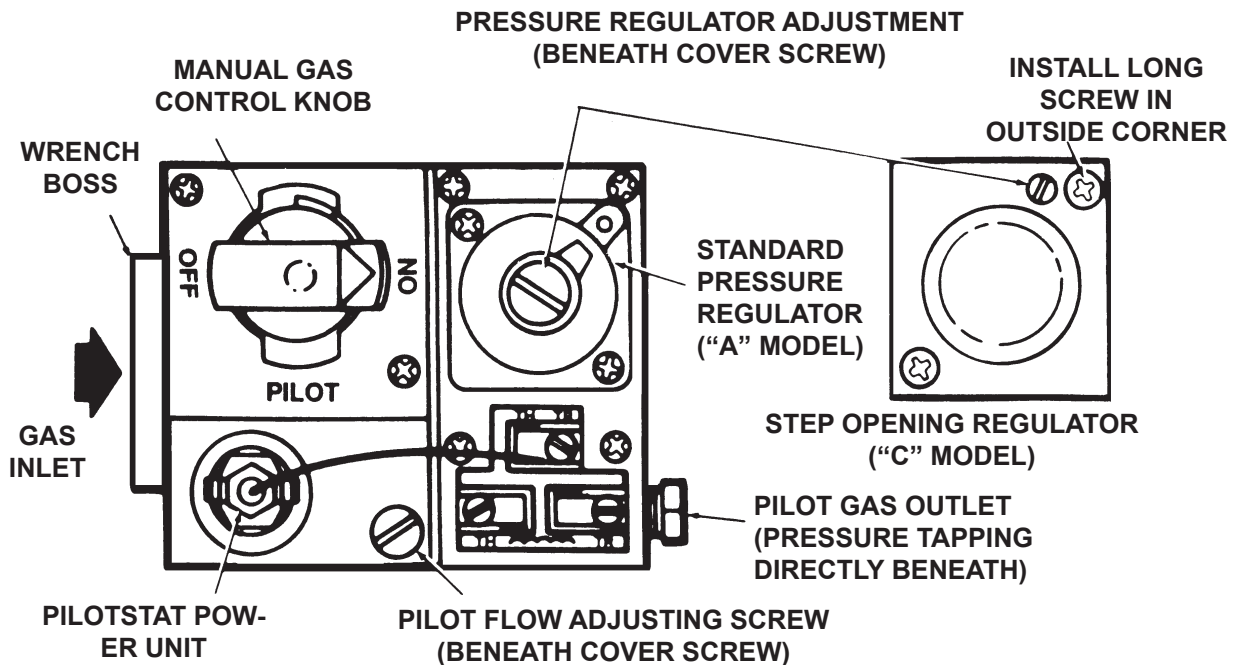
## 2. ADJUSTING THE PILOT FLAME

The pilot flame should envelop  $3/8$  to  $1/2$  in. (10 to 13 mm) of the tip of the thermocouple or generator. Refer to Figure 11. To adjust:



**Figure 11. Proper Flame Adjustment**

- A. Remove pilot adjustment cover screw. Refer to Figure 12.
- B. Turn inner adjustment screw clockwise to decrease or counterclockwise to increase pilot flame.
- C. Always replace cover screw after adjustment and tighten firmly to ensure proper operation.



**Figure 12. Top View of Standard Capacity Gas Control**

**Table 4. Trouble Shooting Chart**

Below in chart form are various symptoms of a malfunctioning system, possible defects that will cause these symptoms and suggested corrective measures. The chart assumes that the proper gas pressure is available to the heater and that the lighting procedure is as stated on the plate attached to the heater.

<b>SYMPTOMS</b>	<b>CAUSES</b>	<b>SOLUTIONS</b>
burner light off very slow	partially block pilot orifice pilot out of adjustment	replace re-adjust pilot
burner light off very slow infra-red color stays dull	partially blocked burner orifice	replace
burner flash back  (roaring noise during operation dark)	low gas pressure  damaged burner	call your gas supplier  and ceramic grid surface will be replace
ceramic grid or burner sooting up (when new or after cleaning)	first check for damaged burner orifice  if burner orifice is not damaged then check for damaged manifold	replace if damaged  replace
pilot cannot be ignited	blocked pilot orifice  gas cock not in position  pilot gas flow adjustment screw may be closed	replace  gas cock knob must be turned to pilot and held depressed  open and adjust (see Figure 12)
pilot lights but goes out	defective thermocouple  defective control	replace  replace
pilot stays lit but main burner will not light	loose wire or improperly wired  defective control blocked burner orifice	tighten connections, check wiring diagram  replace clean orifice or replace
failure to ignite	main gas off air in gas line loose wire connections dirty wire connections	open manual valves bleed gas line tighten wire connections clean terminals and secure terminals

**3. REPLACING THE GAS VALVE UNIT**

- A. Remove the two gas valve unit wires at the gas control valve labeled “PP”.
- B. Unscrew gas valve from gas piping.
- C. Reconnect gas valve and unit wires to terminals “PP”. Be sure to leave thermostat wire on one terminal.

**4. FREQUENCY OF OPERATOR CHECKS**

**Intermittent use.** Appliances that are used seasonally should be checked before shutdown and again before the next use.

**Dusty, wet or corrosive environment.** Since these environments can cause the gas control to deteriorate more rapidly, the system should be checked more often. The gas control should be replaced if:

- A. It does not perform properly on checkout or trouble shooting.
- B. The gas control knob is hard to turn or push down, or it fails to pop back up when released.

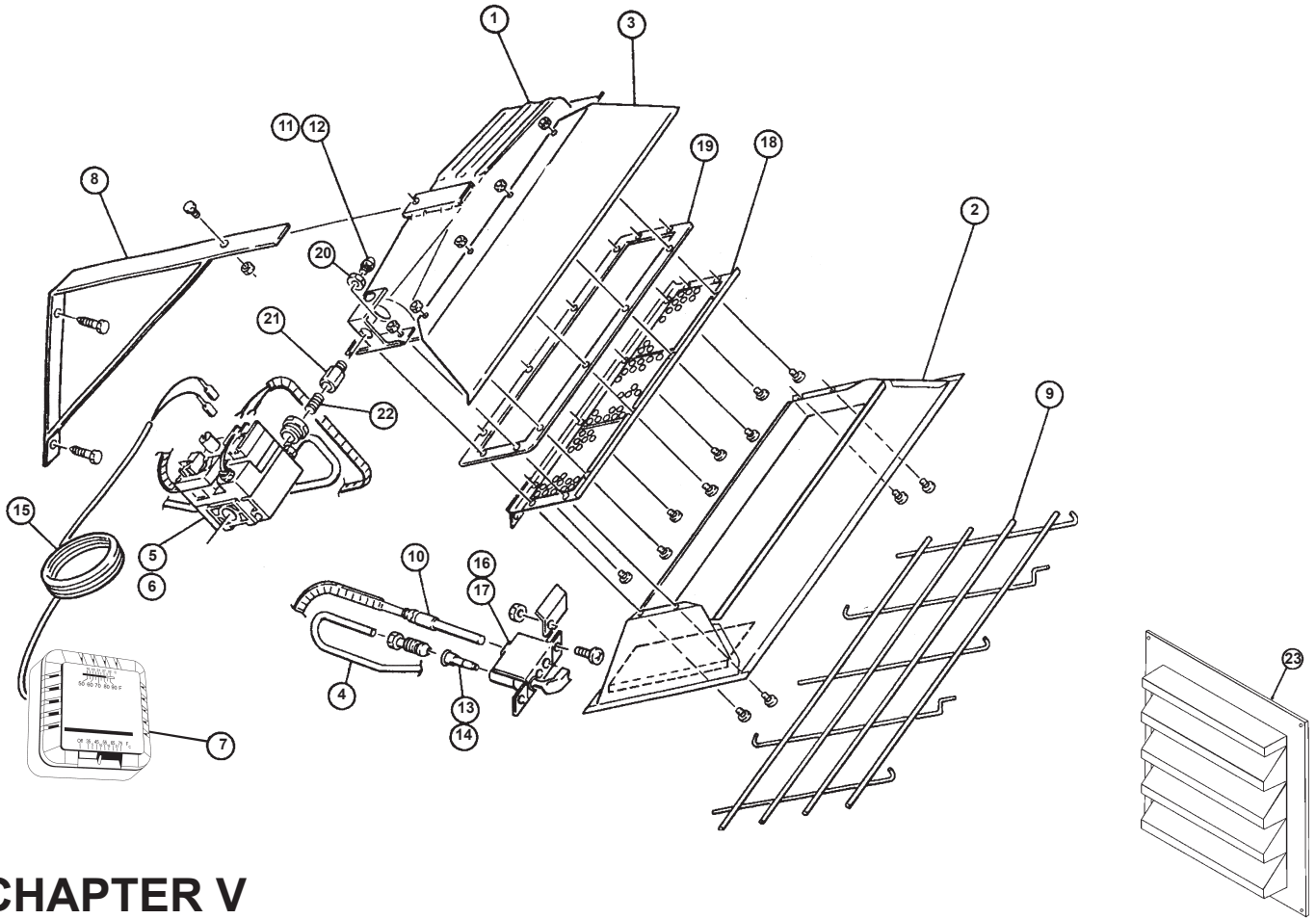
## **IF SERVICE IS REQUIRED**

**PLEASE DO NOT RETURN THIS APPLIANCE TO YOUR STORE**

For information regarding service, please call our Toll-Free Number:  
1-866-447-2194.

Our office hours are 8:00 AM – 5:00 PM, Eastern Time Zone  
Monday through Friday

Please include the model number, date of purchase, and description of  
problem in all communication.



## CHAPTER V REPLACEMENT PARTS LIST

ITEM NO.	STOCK NO	DESCRIPTION	ITEM NO.	STOCK NO.	DESCRIPTION
1	02529A	Burner Assembly Complete	13	05576	Orifice-Pilot-Natural Gas
2	00377A	Reflector Assembly	14	05573	Orifice-Pilot-Propane Gas
3	01357	Flue Deflector	15	10358	Thermostat Cable
4	16451	Pilot Tube	16	11406	Pilot Burner N/G
5	00024	Gas Valve-Natural Gas	17	11405	Pilot Burner L/P
6	00025	Gas Valve-Propane Gas	18	04435A	Grid Replacement
7	10367	Thermostat	19	12369	Gasket
8	14405	Wall Mounting Bracket	20	05354	Jamb Nut
9	04432	Face Guard	21	05351	Connector
10	09360	Thermocouple/Generator	22	98593	3/8" Close Nipple
11	05447	Orifice-Burner-Natural Gas	23	19014	Intake Louver
12	05455	Orifice-Burner-Propane Gas			

OPTIONAL CONVERSION KITS	
STOCK NO.	DESCRIPTION
F200293	NG to LP CONVERSION
F200294	LP to NG CONVERSION

**ALL WARRANTY CLAIMS REQUIRE PROOF OF PURCHASE**

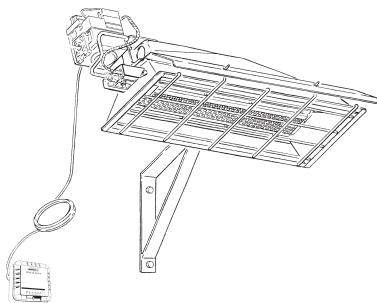


# OPERATING INSTRUCTIONS AND OWNER'S MANUAL

Model #

HS25NG  
HS22LP

**READ INSTRUCTIONS CAREFULLY:** Read and follow all instructions. Place instructions in a safe place for future reference. Do not allow anyone who has not read these instructions to assemble, light, adjust or operate the heater.



## WARNING:

USE ONLY MANUFACTURER'S REPLACEMENT PARTS. USE OF ANY OTHER PARTS COULD CAUSE INJURY OR DEATH. REPLACEMENT PARTS ARE ONLY AVAILABLE DIRECT FROM THE FACTORY AND MUST BE INSTALLED BY A QUALIFIED SERVICE AGENCY.

## FOR INFORMATION REGARDING SERVICE OR PARTS:

Contact your local heating service technician or dealer.

## FOR ADDITIONAL INFORMATION:

Please call Toll-Free 866-447-2194—[www.mrheater.com](http://www.mrheater.com)

Our office hours are 8:00 AM — 5:00 PM, EST, Monday through Friday.

Please have the model number, serial number and date of purchase ready.

## LIMITED WARRANTY

The company warrants this product to be free from imperfections in material or workmanship, under normal and proper use in accordance with instructions of The Company, for a period of one year from the date of delivery to the buyer. The Company, at its option, will repair or replace products returned by the buyer to the factory, transportation prepaid within said one year period and found by the Company to have imperfections in material or workmanship.

If a part is damaged or missing, call our Customer Service Department at 866-447-2194. Address any Warranty Claims to the Customer Service Department, Mr. Heater, 4560 W. 160TH ST., CLEVELAND, OHIO 44135. Include your name, address and telephone number and include details concerning the claim. Also, supply us with the purchase date and the name and address of the dealer from whom you purchased our product.

The foregoing is the full extent of the responsibility of the Company. There are no other warranties, express or implied. Specifically there is no warranty of fitness for a particular purpose and there is no warranty of merchantability. In no event shall the Company be liable for delay caused by imperfections, for consequential damages, or for any charges of the expense of any nature incurred without its written consent. The cost of repair or replacement shall be the exclusive remedy for any breach of warranty. There is no warranty against infringement of the like and no implied warranty arising from course of dealing or usage of trade. This warranty will not apply to any product which has been repaired or altered outside of the factory in any respect which in our judgment affects its condition or operation. Some states do not allow the exclusion or limitation of incidental or consequential damages, so the above limitation or exclusion may not apply to you. This Warranty gives you specific legal rights, and you may have other rights which vary from state to state.

Heatstar reserves the right to make changes at any time, without notice or obligation, in colors, specifications, accessories, materials and models.



Mr. Heater Corporation, 4560 W. 160TH ST., CLEVELAND, OHIO 44135 • 866-447-2194  
HEATSTAR is a registered trademark of Mr. Heater Inc.  
© 2017, Mr. Heater. All rights reserved

ANSI Z83.6b-1993 CAN 1-2.16-M81





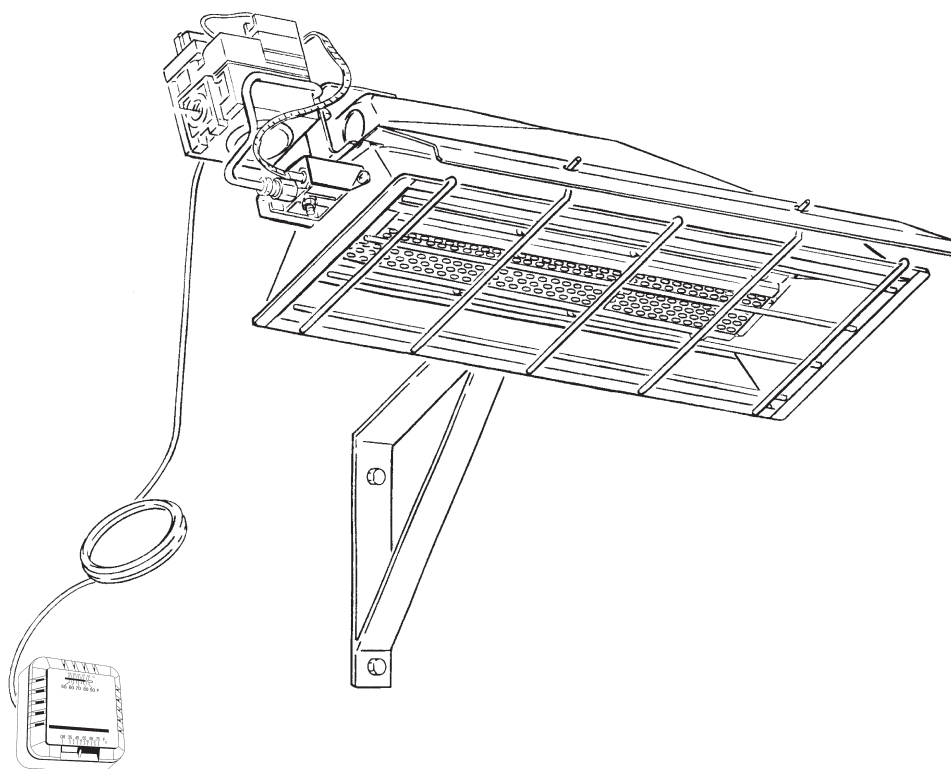
## NOTICE D'UTILISATION ET GUIDE D'UTILISATION

Model #

HS25NG  
HS22LP

**LISEZ SOIGNEUSEMENT LES INSTRUCTIONS** : Lisez et observez toutes les instructions. Conservez les instructions en lieu sûr pour vous y référer ultérieurement. Interdisez à quiconque n'ayant pas lu les présentes instructions d'assembler, d'allumer, de régler ou de faire fonctionner ce radiateur.

## RADIATEUR D'ATELIER À INFRAROUGE ALIMENTÉ AU GAZ



### LANGUAGES

ENGLISH

Pages E1 — E16

SPANISH

Pages S1 — S16

FRENCH

Pages F1 — F16

**⚠ AVERTISSEMENT** : Le non-respect des instructions, telles qu'indiquées dans le présent guide, peut causer une explosion ou un incendie entraînant des dommages matériels ou des blessures graves, voire mortelles.

- N'entreposez ni n'utilisez d'essence ou autres liquides ou vapeurs inflammables à proximité de ce type d'appareil.

- EN PRÉSENCE D'UNE ODEUR DE GAZ

- Coupez l'alimentation en gaz.
- Ne tentez d'allumer aucun appareil.
- Ne touchez à aucun commutateur électrique et n'utilisez aucun téléphone dans votre l'immeuble.
- Rendez-vous chez un voisin et appelez immédiatement votre fournisseur en gaz à partir de là. Suivez les instructions du fournisseur en gaz.
- Si vous ne pouvez pas joindre votre fournisseur en gaz, appelez le service des incendies.

- L'installation et l'entretien doivent être effectués par un installateur qualifié, une entreprise spécialisée ou le fournisseur en gaz.

**⚠ AVERTISSEMENT** : Ce radiateur alimenté au gaz n'est pas ventilé. Il utilise l'oxygène de la pièce où il est installé. Une circulation d'air adéquate doit être assurée pour la combustion et la ventilation. Voir la section sur l'air frais pour la combustion et la ventilation à la page 3 du présent guide.

**⚠ AVERTISSEMENT** : Une installation, une modification, ou une intervention d'entretien ou de réparation inadéquates risquent d'entraîner des dommages, des blessures ou même la mort. Lisez complètement les notices d'installation, d'utilisation et d'entretien avant de procéder à l'installation, l'entretien ou la réparation de cet appareil. Pour obtenir de l'assistance ou des renseignements supplémentaires, adressez-vous à un installateur, un fournisseur de services d'entretien ou un fournisseur en gaz qualifié.

## AVERTISSEMENTS

**⚠ AVERTISSEMENT** : Une installation, une modification, ou une intervention d'entretien ou de réparation inadéquates risquent d'entraîner des dommages, des blessures ou même la mort. Lisez complètement les notices d'installation, d'utilisation et d'entretien avant de procéder à l'installation, l'entretien ou la réparation de cet appareil. Pour obtenir de l'assistance ou des renseignements supplémentaires, adressez-vous à un installateur, un fournisseur de services d'entretien ou un fournisseur en gaz qualifié.

**⚠ AVERTISSEMENT** : Si le radiateur est utilisé sans l'apport d'air frais nécessaire, il produira du MONOXYDE DE CARBONE, un gaz toxique inodore. **OUVRIR LA FENÊTRE DE TROIS À CINQ CENTIMÈTRES (UN POUCE OU DEUX) POUR LAISSER ENTRER L'AIR FRAIS LORSQUE LE RADIATEUR EST UTILISÉ.**

**⚠ AVERTISSEMENT** : Ce radiateur est doté d'un **SYSTÈME DE SÉCURITÉ À VEILLEUSE. NE PAS MODIFIER LE SYSTÈME DE SÉCURITÉ À VEILLEUSE.**

**⚠ AVERTISSEMENT** : Si le radiateur s'éteint, ventiler la pièce avant de le rallumer. Si le radiateur s'éteint continuellement, le faire réparer. Garder le brûleur et la zone de commande propres. Ouvrir la porte pendant cinq minutes. Conserver les écarts indiqués à la figure 2 ou sur la plaque signalétique du radiateur.

- NE PAS UTILISER D'ALLUMETTES NI AUCUNE AUTRE FLAMME POUR VÉRIFIER S'IL Y A DES FUITES.
- LA PRESSION D'ENTRÉE AU RADIATEUR NE DOIT PAS DÉPASSER 3,4 KPA (1/2 LB/PO<sup>2</sup>).

**DANGER** : L'empoisonnement au monoxyde de carbone peut causer la mort.

### Empoisonnement au monoxyde de carbone :

Les signes avant-coureurs d'intoxication au monoxyde de carbone ressemblent aux symptômes de la grippe, soit maux de tête, étourdissements et nausée. Si vous ressentez ces symptômes, le radiateur ne fonctionne peut-être pas correctement. Allez immédiatement à l'air libre! Faites inspecter le radiateur. Certaines personnes sont davantage affectées par le monoxyde de carbone que les autres. Il s'agit notamment des femmes enceintes, des personnes souffrant de problèmes cardiaques ou respiratoires ou encore d'anémie, et des personnes sous l'influence de l'alcool ou se trouvant en haute altitude.

### MISE EN GARDE

- Ne jamais connecter le robinet de gaz ou le thermostat à la tension de secteur ou à un transformateur.
- Si la couleur de la grille infrarouge s'atténue lorsque la fournaise de l'immeuble fonctionne, adressez-vous à votre fournisseur en gaz pour connaître la taille des tuyaux à utiliser pour l'alimentation en gaz.
- Ce radiateur doit être utilisé à l'intérieur seulement!

### REMARQUE

Le liant pour joint d'étanchéité utilisé dans ce radiateur émettra temporairement une odeur et/ou de la vapeur. Ces émanations cesseront au bout d'environ 20 minutes et ne se reproduiront plus. Voir le chapitre 2 pour l'aération.

### AVERTISSEMENT :

**⚠** Avertissement de l'État de Californie : L'UTILISATION DE CET APPAREIL LIBÈRE DES SOUS-PRODUITS DE COMBUSTION CONTENANT DU MONOXYDE DE CARBONE, UN PRODUIT CHIMIQUE RECONNU PAR L'ÉTAT DE CALIFORNIE COMME CAUSE DE CANCER ET D'ANOMALIES CONGÉNITALES (OU AUTRES RISQUES POUR LA REPRODUCTION).

## TABLE DES MATIÈRES

Chapitre	Titre	Page
I	Introduction.....	F3
II	Installation du radiateur .....	F5
III	Notice d'utilisation du radiateur .....	F10
IV	Directives d'entretien à l'intention de l'utilisateur .....	F12
V	Liste des pièces de rechange.....	F15

# CHAPITRE I INTRODUCTION

## 1. ÉQUIPEMENT

Ce radiateur est la version grand public d'un radiateur industriel à infrarouge alimenté au gaz très populaire et ayant fait ses preuves.

Ce radiateur ne requiert aucune source d'alimentation électrique externe.

La figure 1 montre une installation type du radiateur et en identifie les principaux composants. Le radiateur de base comprend l'ensemble de brûleur complet, le

défecteur de gaz de combustion, la grille, l'ensemble de réflecteur et une grille de protection.

## 2. UTILISATION DE L'ÉQUIPEMENT

### AVERTISSEMENTS

- ⚠ Ce radiateur doit être utilisé à l'intérieur seulement.
- ⚠ Ce radiateur est conçu pour le chauffage à l'intérieur. Il ne doit pas être utilisé dans des locaux fermés de petite taille ou habités.

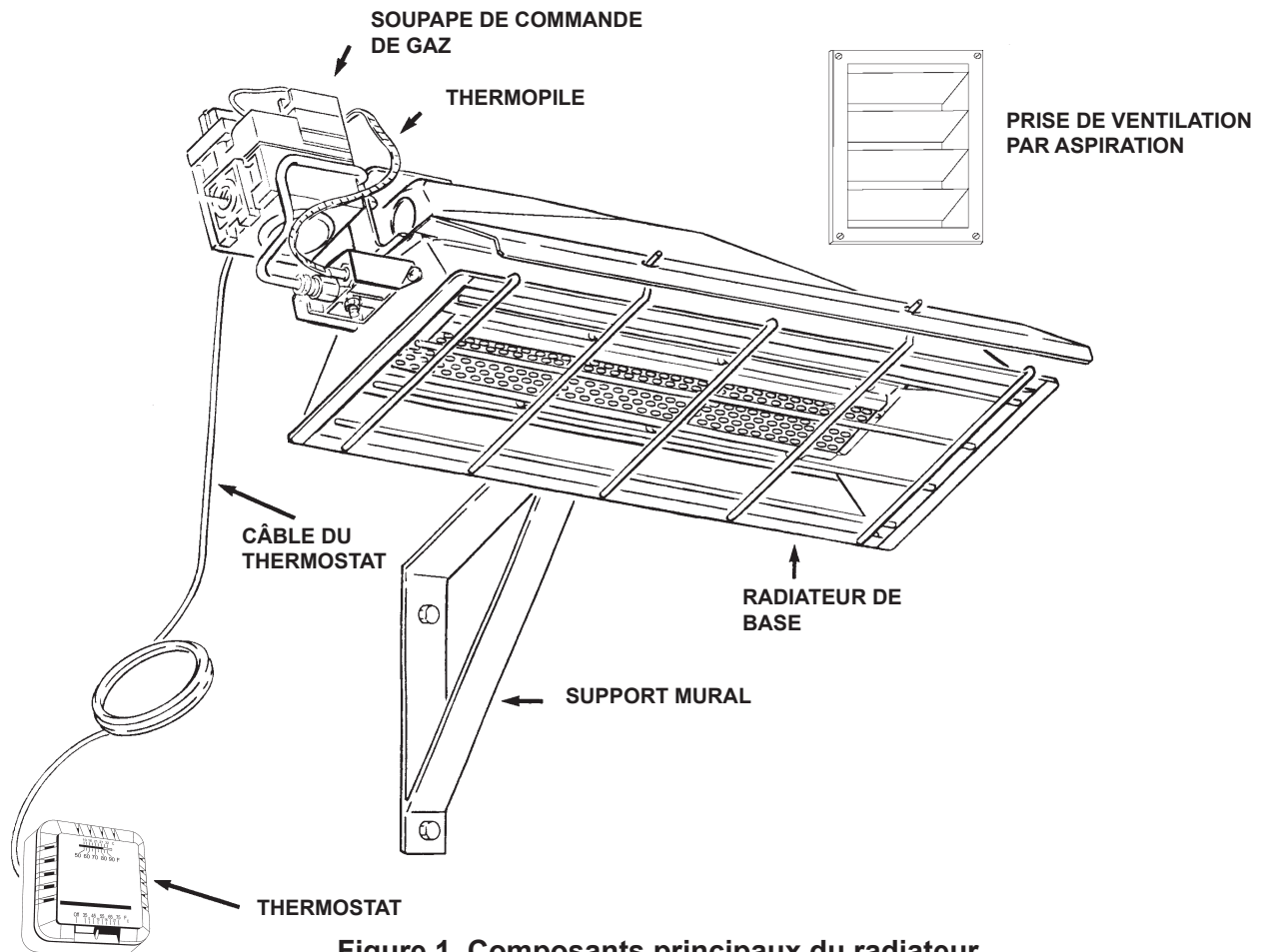


Figure 1. Composants principaux du radiateur

Ce radiateur d'installation facile est tout indiqué comme méthode de chauffage simple d'un garage ou d'un bâtiment utilitaire.

1/8 po est fournie sur la commande de gaz du radiateur.

- **Voir les tableaux 1 et 2 pour la fiche technique du radiateur :**

### 3. RENSEIGNEMENTS GÉNÉRAUX

- Votre radiateur est complètement assemblé et testé en usine avec le type de gaz approprié et les pressions d'entrée indiquées sur la plaque signalétique.
- Avant de l'installer, inspectez le radiateur et sa boîte d'emballage pour détecter tout dommage éventuel et vérifier qu'il ne manque aucun composant. Si le radiateur est endommagé ou si des composants sont manquants, communiquez avec votre distributeur. Voir le chapitre 5 pour une liste complète des éléments requis pour une installation sûre et efficace de ce radiateur.
- Ne tentez jamais d'alimenter le radiateur avec un combustible autre que celui qui est spécifiquement identifié sur la plaque signalétique.
- L'installation du radiateur doit être conforme à tous les règlements de construction locaux ou, en l'absence de codes locaux, au National Fuel Gas Code ANSI Z223.1 (NFPA 54). Pour obtenir ce code, adressez-vous à : Association canadienne de normalisation, 8501 East Pleasant Valley Road, Cleveland, OH 44131; ou NFPA, Battery March Park, Quincy, MA 02269.
- Les installations canadiennes doivent être conformes au code sur les gaz CAN/CGA-B149.1.2 que l'on peut acheter auprès de l'Association canadienne du gaz, 55 Scarsdale Road, Don Mills (Ontario) M3B 2R3.
- Communiquez avec l'usine lorsque l'appareil doit être installé à haute altitude. L'usine offre une trousse de conversion pour haute altitude avec des instructions et une plaque signalétique.
- Une connexion pour manomètre d'essai NPT de

**AVERTISSEMENT :** Une installation, une modification, ou une intervention d'entretien ou de réparation inadéquates risquent d'entraîner des dommages, des blessures ou même la mort. Lisez complètement les notices d'installation, d'utilisation et d'entretien avant de procéder à l'installation, l'entretien ou la réparation de cet appareil. Pour obtenir de l'assistance ou des renseignements supplémentaires, adressez-vous à un installateur, un fournisseur de services d'entretien ou un fournisseur en gaz qualifié.

- Pour plus de renseignements, communiquez avec : l'usine.

Les guides NFPA suivants sont également utiles si le radiateur doit être installé à un emplacement non prévu dans le présent manuel :

Numéro	Sujet connexe
NFPA 88	Distance par rapport aux surfaces combustibles
NFPA 409	Distance par rapport aux surfaces combustibles

**⚠ LA PRESSION D'ENTRÉE AU RADIATEUR NE DOIT PAS DÉPASSER 3,4 KPA (1/2 LB/PO<sup>2</sup>)**

Prévoir une distance appropriée par rapport aux matériaux combustibles, conformément au tableau 3, à l'extrémité de la commande du radiateur pour l'entretien, ainsi qu'un dégagement minimum en haut et sur les côtés pour l'apport en air de ventilation et de combustion.

Il faut une hauteur minimum de 2,4 m (8 pi) au-dessus du plancher pour les garages publics conformément à la dernière édition de la norme NFPA n° 88, ou à la figure 1, si cette hauteur est supérieure.

**Tableau 1. Puissances en BTU et pressions d'alimentation**

MODÈLE	PUISSANCE EN BTU/H		PRESSION D'ALIMENTATION EN GAZ (CE)				TAILLE DE			
	GAZ		MIN.		MAX.		COLLECTEUR	L'ORIFICE		
	NATUREL	PROPANE	NAT.	GPL	NAT.	GPL	NAT.	GPL	NAT.	GPL
MH/HS25NG	25 000	—	7,0 po	—	14 po	—	6 po	—	45	—
MH/HS22LP	—	22 000	—	11 po	—	14 po	—	10 po	—	55

**Tableau 2. Dimensions du radiateur et tailles des orifices**

MODÈLE	PRESSION DE FONCTIONNEMENT	TAILLE DE L'ORIFICE		ENTRÉE (BTU/H)	DIMENSIONS			
		BRÛLEUR	VEILLEUSE		LARGEUR	LONGUEUR	HAUTEUR	POIDS
MH/HS25NG	6 po CE	45	0,018	25 000	12 1/4 po	29 3/4 po	7,0 po	20 lb
MH/HS22LP	10 po CE	55	0,011	22 000	12 1/4 po	29 3/4 po	7,0 po	20 lb

Les installations canadiennes dans des garages publics doivent être conformes à la dernière édition de la norme 149B.1.9 de l'ACG.

**⚠ AVERTISSEMENT :** Respectez les distances indiquées à la figure 2 ou sur la plaque signalétique du radiateur.

## CHAPITRE II INSTALLATION DU RADIATEUR

### 1. RENSEIGNEMENTS GÉNÉRAUX ET EXIGENCES RELATIVEMENT À L'INSTALLATION

- Les distances minimales par rapport aux surfaces combustibles sont illustrées à la figure 2 et dans le tableau 3. Comme il est indiqué à la figure 2, le devant du radiateur est installé à la distance minimale requise des surfaces combustibles et orienté vers l'espace ouvert, et les autres côtés doivent être éloignés d'au moins 40 cm (16 pouces) des surfaces combustibles.

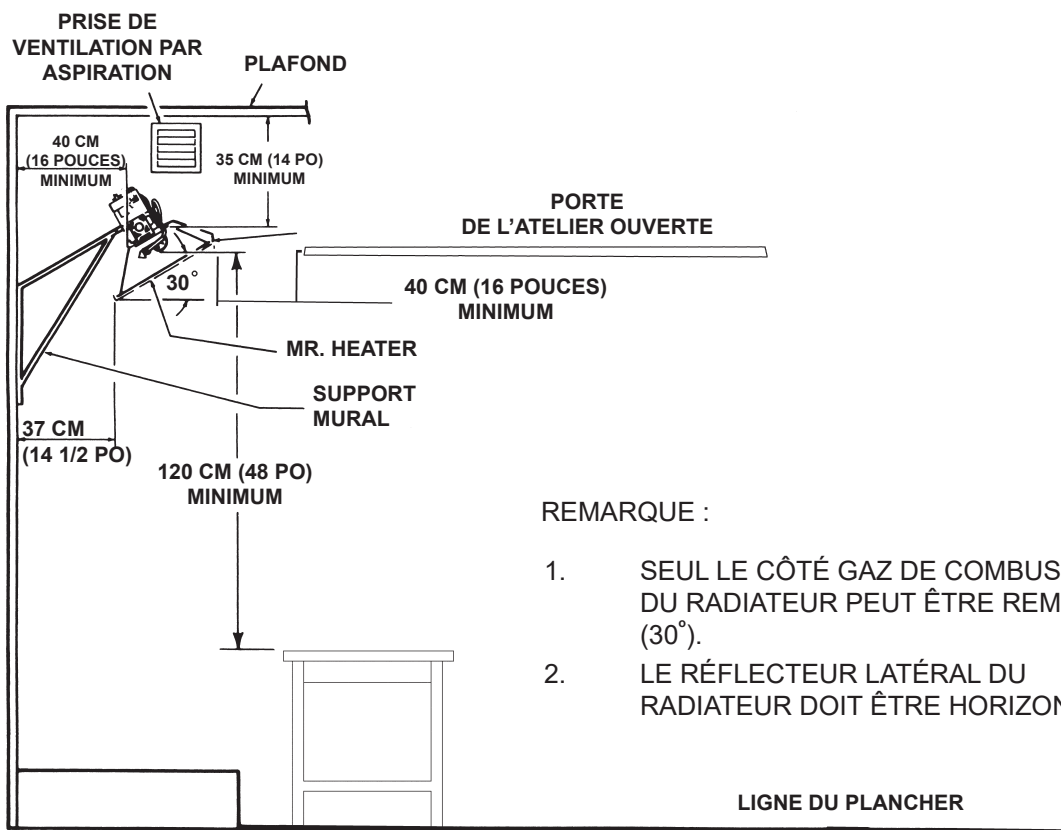


Figure 2. Distances entre l'installation et les surfaces combustibles

Tableau 3. Renseignements sur l'installation, la ventilation et le montage

MODÈLE	PUISSANCE EN BTU/H		POSITION DE MONTAGE NORMALE	DISTANCE DES SURFACES COMBUSTIBLES			
	GAZ			HAUT	CÔTÉS	ARRIÈRE	DESSOUS
	NAT.	GPL					
MH/HS25NG	25 000	—	30°	14 po	16 pouces	16 pouces	48 po
MH/HS22LP	—	22 000	30°	14 po	16 pouces	16 pouces	48 po

- Ce radiateur peut être monté sur n'importe quel mur; cependant, il est recommandé de l'installer au milieu du mur situé en face des portes roulantes à levage vertical, le cas échéant.
- Lors du choix des emplacements d'installation de ce radiateur, assurez-vous que les portes ou les fenêtres intérieures ou extérieures n'empiètent pas sur les distances de dégagement minimales et n'entrent pas en contact avec des composants du radiateur lorsqu'on les ouvre.
- Si une porte roulante à levage vertical est installée, vérifiez que le radiateur n'est pas installé de manière à nuire au fonctionnement de la porte et assurez-vous que les dégagements ne sont pas inférieurs aux valeurs minimales lorsque la porte est ouverte. Ne montez jamais le radiateur de manière à ce qu'il se trouve au-dessus d'une porte roulante à levage vertical ouverte.
- Dans la plupart des cas, l'infiltration d'air autour des portes d'entrée et des fenêtres non isolées fournira suffisamment d'air pour que le radiateur fonctionne de manière efficace.

Il est essentiel de permettre la libre circulation de l'air pour empêcher que la zone au-dessus du radiateur installé ne surchauffe. Si votre atelier/bâtiment utilitaire est doté d'une isolation complète (incluant les fenêtres, les portes, les ouvertures, etc.), les méthodes de ventilation suivantes doivent être respectées :

- Une prise de ventilation par aspiration est fournie avec votre radiateur pour plus de commodité. Cette prise doit être située au-dessus du radiateur (préférentiellement au point le plus haut à l'intérieur du bâtiment) et elle doit donner à l'extérieur du bâtiment. Ceux qui ont un atelier ou un bâtiment utilitaire fini peuvent se procurer une prise additionnelle auprès de l'usine.
- Une prise d'air, ou l'équivalent, de l'extérieur du bâtiment et ayant une surface efficace de 485 cm<sup>2</sup> (75 po<sup>2</sup>) doit être aménagée sous le radiateur (préférentiellement à moins de 60 cm (2 pi) du plancher du bâtiment).
- Les ouvertures équivalentes à une prise d'air extérieure sont : les portes et les fenêtres partiellement ouvertes.
- Des ouvertures de 13 cm par 33 cm (5 po par 13 po) ou 8 cm par 64 cm (3 po par 25 po) empêcheront les surchauffes dangereuses au-dessus du radiateur.

Assurez-vous qu'aucune conduite de gaz, aucun câble électrique et aucun conduit de câble électrique n'entrave le montage du radiateur sur le mur.

Selon les codes et exigences locaux et le niveau de compétence de l'installateur, celui-ci peut devoir faire appel à un professionnel pour le calibrage et l'installation des conduites de gaz requises pour

l'alimentation du radiateur. Si vous avez des doutes relativement à ces exigences, discutez des exigences du présent manuel avec le distributeur auprès duquel vous avez acheté le radiateur et votre fournisseur en gaz, ou appelez le service à la clientèle au 1 800 251-0001.

Le choix de l'emplacement de montage du thermostat est critique pour le fonctionnement efficace et efficient du radiateur.

- Le thermostat doit être monté à environ 1,5 m (5 pieds) au-dessus du plancher et de façon à ce que l'air puisse circuler librement autour.
- Le thermostat ne doit pas être monté directement sur un mur extérieur froid sans bloc de montage isolé.
- Le thermostat ne doit pas être monté dans les courants d'air.
- Le thermostat ne doit pas être monté directement sous le radiateur installé.
- La distance entre le thermostat et le radiateur ne doit pas être supérieure à la longueur du câble du thermostat.

## 2. INSTRUCTIONS DE MONTAGE DU RADIATEUR

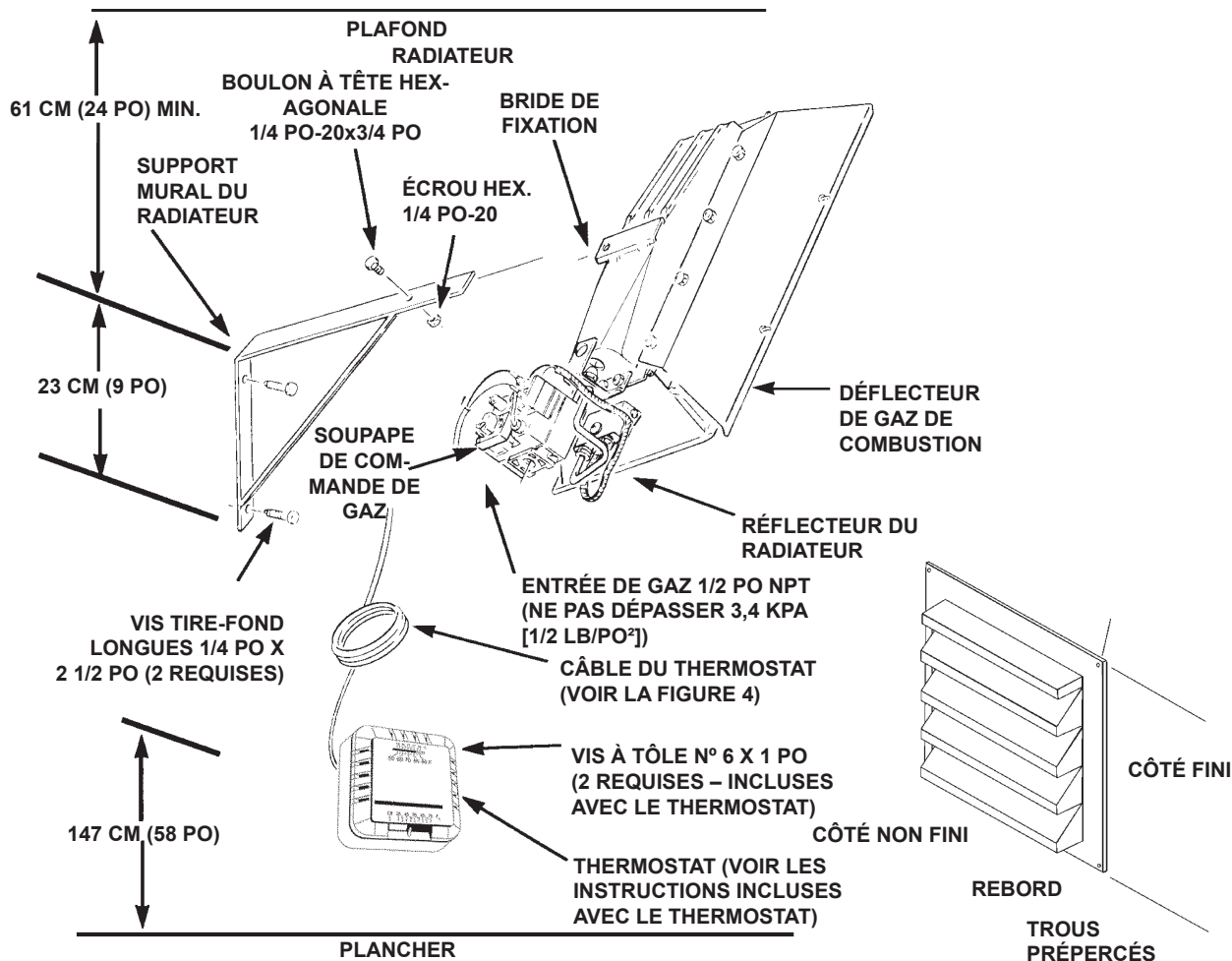
Après avoir choisi l'emplacement d'installation du radiateur et l'emplacement du thermostat, et après vous être assuré que toutes les exigences relatives à l'emplacement ont été respectées, montez le radiateur comme suit :

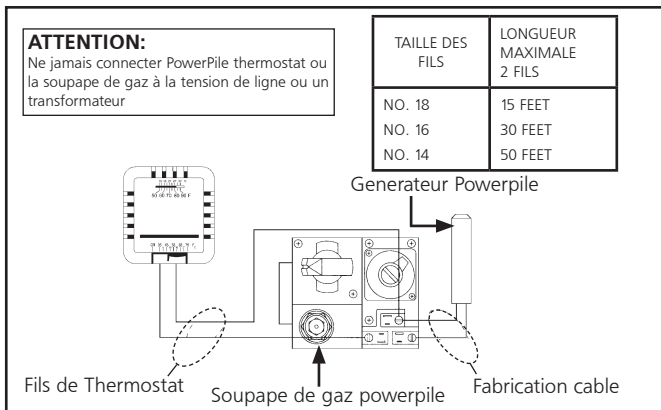
- A. Déterminez comment vous désirez installer la prise selon la construction du bâtiment et en fonction de vos préférences personnelles. (Par exemple, voulez-vous que le côté fini soit sur l'intérieur ou l'extérieur du bâtiment ou désirez-vous deux prises finies à l'intérieur et à l'extérieur?) Au besoin, commandez une autre prise à l'usine. Notre adresse et notre numéro de téléphone sans frais figurent à l'endos du présent guide. Installez la prise comme suit :
  1. Voir la figure 3 pour les dimensions et d'autres renseignements sur la prise.
  2. Sélectionnez un endroit le plus haut possible conformément aux exigences ci-dessus et assurez-vous que la ou les prises ne touchent ni n'entravent les systèmes existants du bâtiment (c.-à-d. les conduites, le câblage, la tuyauterie, etc.).
  3. Placez le côté non fini de la prise contre le mur à l'emplacement choisi et tracez ses dimensions sur le mur au moyen d'un crayon ou d'un autre marqueur approprié.
  4. Taillez un trou dans le mur (ou dans les murs si le bâtiment est fini) ayant les dimensions du côté non fini de la prise.
  5. Installez la ou les prises tel que désiré et fixez-les au moyen de 4 attaches appropriées dans

les trous aménagés sur le rebord de la prise.

- B. Préparez-vous à installer le support mural du radiateur comme suit :
1. Si le support mural doit être fixé à un mur à poteaux de cloison et panneaux de revêtement, consultez la figure 3 pour les dimensions, repérez le poteau et percez des trous d'implantation de 3,2 mm (1/8 po) au centre du poteau. Utilisez le gabarit pour simplifier l'installation.
  2. Si le support mural doit être fixé à un mur de brique ou de maçonnerie, consultez la figure 3 pour les dimensions. Procurez-vous deux ancrages à expansion de 1/4 po de diamètre interne et déterminez la taille du foret à utiliser. Percez les trous appropriés pour recevoir les ancrages dans la brique ou la maçonnerie.
- C. Placez le support mural sur le mur et alignez les deux trous du support sur les trous d'implantation ou les ancrages. Insérez des vis tire-fond de 1/4 po x 2 1/2 po par le support dans le poteau ou les ancrages. Serrez bien les vis.
- D. Repérez la bride de fixation du radiateur à l'arrière du radiateur et sélectionnez le boulon à tête hexagonale 1/4 po – 20 x 3/4 po et l'écrou hexagonal 1/4 po – 20.
- E. Positionnez le radiateur comme il est indiqué à la figure 3 et faites glisser la bride de fixation du radiateur sur le support, puis insérez le boulon dans la bride et le support.
- F. Vissez l'écrou hexagonal sur le boulon et serrez-le bien.
- G. Assurez-vous que l'emplacement choisi pour le thermostat est conforme à toutes les exigences indiquées précédemment. Reportez-vous à la documentation accompagnant le thermostat pour plus de renseignements sur la mise à la terre et les instructions de montage.
- H. S'il s'agit d'un mur à poteaux de cloison et panneaux de revêtement, utilisez des vis à tôle n° 6 de 1 po, incluses avec le thermostat, et montez le thermostat à l'emplacement sélectionné.
- I. Si le mur est en brique ou en maçonnerie, procurez-vous les ancrages appropriés en fonction des vis de montage du thermostat. Utilisez la plaque arrière du thermostat comme gabarit pour marquer l'emplacement des trous, percez des trous d'une grandeur appropriée pour les ancrages, posez les ancrages, fixez le thermostat au moyen des vis de montage.
- J. Connectez les fils du thermostat à la soupape de gaz comme il est indiqué à la figure 4.

**Figure 3. Directives de montage du radiateur**





**Figure 4. Schéma de câblage**

Voir le Code national de l'électricité, NFPA70-1993, et, pour les installations canadiennes, le Code canadien de l'électricité en vigueur, C22.1-L.

### 3. CONNEXION DU RADIATEUR À L'ALIMENTATION EN GAZ

**AVERTISSEMENT :** Selon les codes et exigences au niveau local et les compétences de l'installateur, celui-ci peut devoir faire appel à un professionnel pour le calibrage et l'installation des conduites de gaz requises pour l'alimentation sûre et efficace du radiateur. Si vous avez des doutes quant à ces exigences, discutez des exigences du présent manuel avec le distributeur auprès duquel vous avez acheté le radiateur et votre fournisseur en gaz.

#### 3.1 Exigences relatives à l'alimentation en gaz

- Consultez les tableaux 1 et 2 pour les pressions d'alimentation en gaz minimum, maximum, de fonctionnement et d'admission pour les deux modèles de radiateurs. Les pressions sont fournies en pouces et en millimètres de CE (colonne d'eau). Consultez également les plaques signalétiques sur le radiateur.

**AVERTISSEMENT :** Le modèle MH/HS25NG est conçu pour brûler du gaz naturel et est équipé d'un régulateur. Le régulateur est intégré à la soupape de gaz. La pression d'aspiration maximale vers ce régulateur est de 3,4 kPa (1/2 lb/po<sup>2</sup>) ou 355 mm (14 po) CE. Si la pression de la conduite de gaz excède 13,4 kPa (1/2 lb/po<sup>2</sup>), un régulateur additionnel doit être installé avant le radiateur/régulateur pour réduire la pression à un maximum de 3,4 kPa (1/2 lb/po<sup>2</sup>).

- La plupart des services d'alimentation en gaz naturel fournissent une pression de canalisation de 175 mm (6,9 po) CE. En cas de doute, consultez votre fournisseur de gaz naturel.
- Pour obtenir un rendement optimal de votre radiateur au gaz naturel, assurez-vous que la pression d'admission est d'au moins 152 mm (6 po) CE.

**AVERTISSEMENT :** Le modèle MH/HS22LP est conçu pour brûler des gaz de pétrole liquéfiés (GPL) et est équipé d'un régulateur. Le régulateur est intégré à la soupape de gaz. La pression d'aspiration maximale vers ce régulateur est de 3,4 kPa (1/2 lb/po<sup>2</sup>) ou 355 mm (14 po) CE. Si la pression de la conduite de gaz excède 3,4 kPa (1/2 lb/po<sup>2</sup>), un régulateur additionnel doit être installé avant le radiateur/régulateur pour réduire la pression à un maximum de 3,4 kPa (1/2 lb/po<sup>2</sup>).

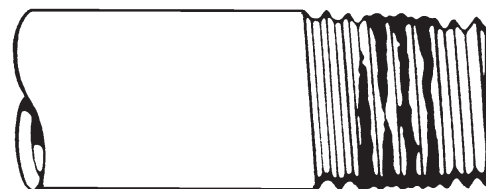
- Pour obtenir un rendement optimal de votre radiateur à GPL, assurez-vous que la pression d'admission est d'au moins 3,4 kPa (1/2 lb/po<sup>2</sup>) ou 355 mm (14 po) CE.

#### 3.2 Exigences relatives à la tuyauterie

Toute la tuyauterie installée doit être conforme aux codes et ordonnances locaux ou au National Fuel Gas Code, ANSI Z223.1 (NFPA 54), selon celui qui a préséance. Les exigences suivantes doivent être prises en considération lors de l'installation de la tuyauterie : les installations canadiennes doivent se conformer au code sur les gaz B149.1.2.

- Utilisez des tuyaux noirs neufs adéquatement alésés et non ébréchés.
- Appliquez une pâte à joint de bonne qualité sur tous les filets mâles, comme il est indiqué à la figure 5, avant l'assemblage. Si le combustible est du GPL, assurez-vous que la pâte à joint résiste au GPL. N'utilisez pas de ruban TeflonMC.

#### UTILISEZ UNE QUANTITÉ MODÉRÉE DE PÂTE À JOINT



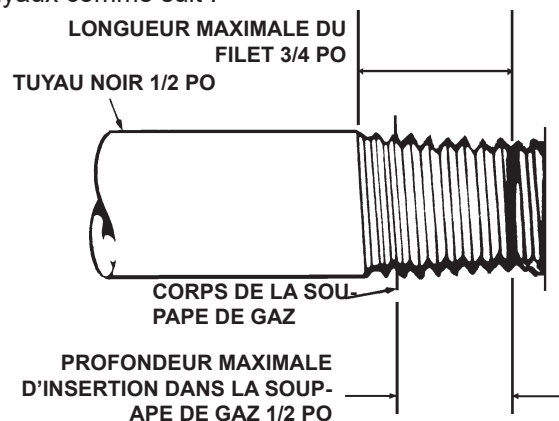
LAISSEZ 2 FILETS DÉNUDÉS

#### Figure 5. Application de la pâte à joint

- Les filets mâles du tuyau qui sera inséré dans la soupape de gaz doivent être conformes aux exigences de la figure 6. S'ils sont plus longs que ceux de la figure, les filets peuvent entraîner la distorsion et la défaillance de la soupape de gaz.
- Une grille à sédiments conforme aux exigences types de la figure 7 doit être installée dans la conduite menant à la soupape de gaz.
- Une soupape d'arrêt du radiateur doit être installée dans la conduite d'alimentation en gaz.

#### 3.3 Installation des tuyaux

En vous assurant de respecter les exigences relatives à l'alimentation en gaz et à la tuyauterie, installez les tuyaux comme suit :



**Figure 6. Exigences relatives au raccordement de la soupape de gaz**



- A. Conformément aux exigences ci-dessus pour la tuyauterie, assemblez les tuyaux, la grille à sédiments, la soupape d'arrêt et les raccords nécessaires. Serrez bien tous les composants.

**⚠ AVERTISSEMENT :** Si les filets mâles du tuyau inséré dans la soupape de gaz ne sont pas conformes aux exigences de la figure 6, ils risquent d'entraîner une distorsion et une défaillance de la soupape de gaz.

- B. Installez un raccord fileté, préparé de la manière indiquée au paragraphe 3.2, dans la soupape de gaz.
- C. Raccordez la conduite de gaz au raccord installé dans la soupape de gaz.

**⚠ AVERTISSEMENT :** Utiliser uniquement de l'eau et du savon pour tester les conduites de gaz. Ne pas utiliser d'allumettes ni aucune flamme pour vérifier s'il y a des fuites. Si, durant un test de fuite, une odeur de gaz est détectée, couper l'alimentation en gaz et aérer le bâtiment.

- D. Assurez-vous que le bâtiment est bien ventilé. Sans allumer la veilleuse du radiateur, ouvrez le robinet d'alimentation en gaz et pressurisez les tuyaux jusqu'à la soupape de gaz du radiateur.
- E. Avec un pinceau, mettez de l'eau savonneuse sur toutes les connexions et vérifiez s'il y a des bulles indiquant une fuite. Si vous détectez une fuite, coupez l'alimentation en gaz et serrez les connexions. Testez de nouveau et serrez les connexions jusqu'à ce que toutes les fuites disparaissent.

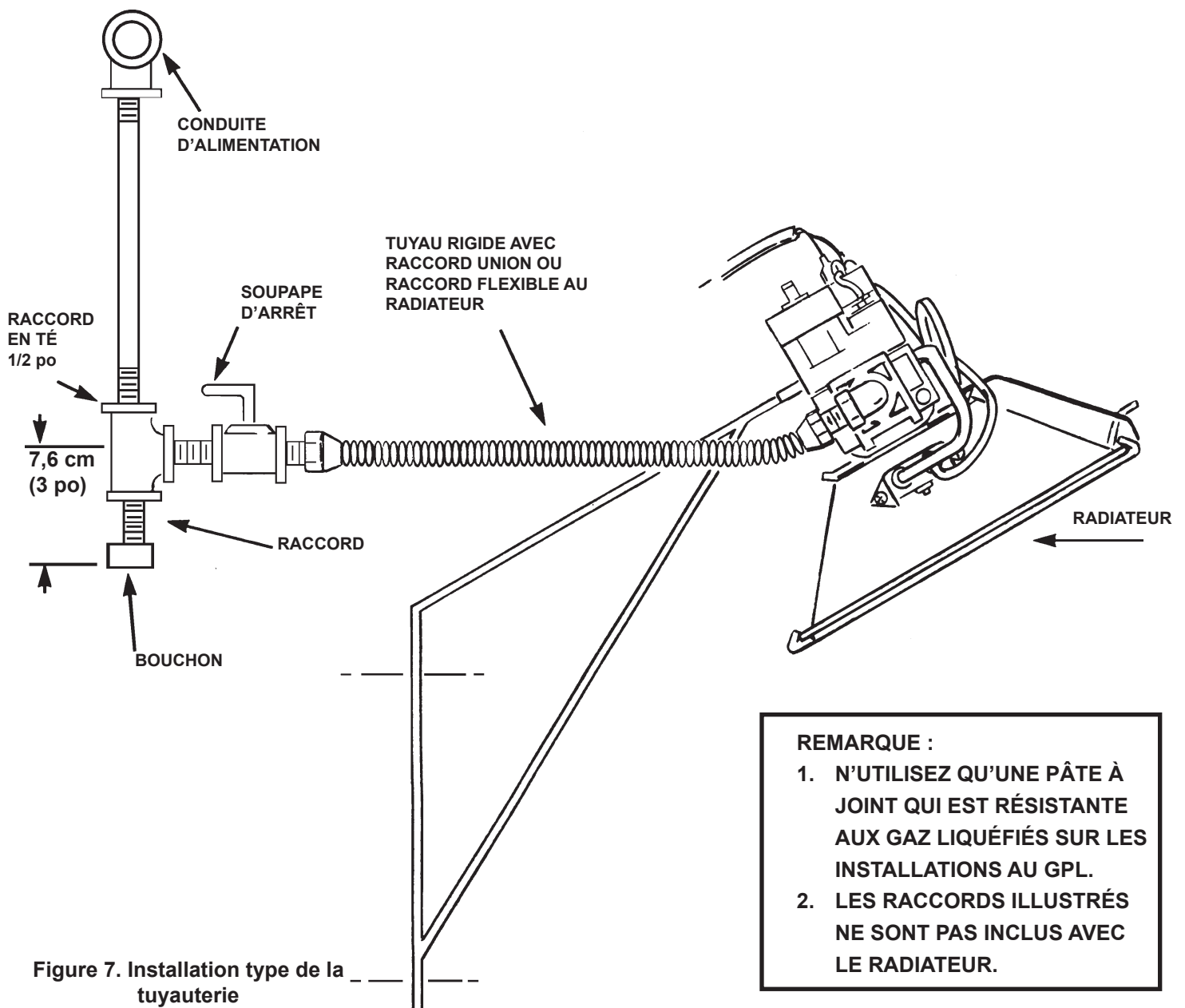


Figure 7. Installation type de la tuyauterie

# CHAPITRE III NOTICE D'UTILISATION DU RADIATEUR

## 1. CONSIGNES DE SÉCURITÉ

- ⚠ **AVERTISSEMENT** : Si le radiateur est utilisé sans l'apport d'air frais nécessaire, il produira du MONOXYDE DE CARBONE, un gaz toxique inodore. OUVRIRE LA FENÊTRE DE TROIS À CINQ CENTIMÈTRES (UN POUCE OU DEUX) POUR LAISSER ENTRER L'AIR FRAIS LORSQUE LE RADIATEUR EST UTILISÉ.
- ⚠ **AVERTISSEMENT** : Ce radiateur est doté d'un SYSTÈME DE SÉCURITÉ À VEILLEUSE. NE PAS MODIFIER LE SYSTÈME DE SÉCURITÉ À VEILLEUSE.
- ⚠ **AVERTISSEMENT** : Si le radiateur s'éteint, ventiler la pièce avant de le rallumer. Ouvrir la porte pendant cinq minutes. Si le radiateur s'éteint continuellement, le faire réparer. Garder le brûleur et la zone de commande propres.
- ⚠ **AVERTISSEMENT** : L'EMPOISONNEMENT AU MONOXYDE DE CARBONE PEUT CAUSER LA MORT. Les signes avant-coureurs d'intoxication au monoxyde de carbone ressemblent aux symptômes de la grippe, soit maux de tête, étourdissements et nausée. Si vous ressentez ces symptômes, le radiateur ne fonctionne peut-être pas correctement. Allez immédiatement à l'air libre! Faites inspecter le radiateur.
- ⚠ **AVERTISSEMENT** : NE PAS UTILISER D'ALLUMETTES NI AUCUNE AUTRE FLAMME POUR VÉRIFIER LES FUITES.

**ATTENTION** : Si la couleur de la grille infrarouge s'atténue lorsque la fournaise de l'immeuble fonctionne, adressez-vous à votre fournisseur en gaz pour connaître la taille des tuyaux à utiliser pour l'alimentation en gaz.

**ATTENTION** : Ce radiateur doit être utilisé à l'intérieur seulement!

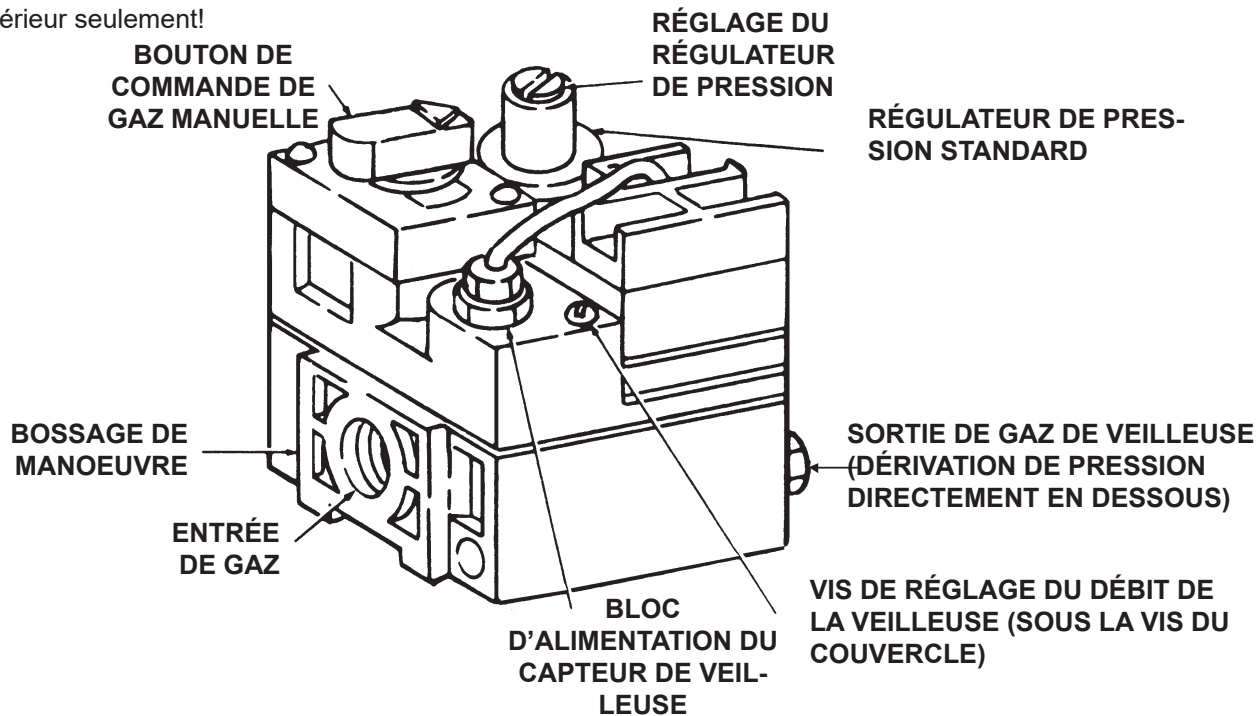


Figure 9. Composants de la soupape de gaz

## REMARQUE

Le liant pour joint d'étanchéité utilisé dans ce radiateur émettra temporairement une odeur et/ou de la vapeur. Ces émanations cesseront au bout d'environ 20 minutes et ne se reproduiront plus. Voir le chapitre 2 pour l'aération.

## 2. DÉMARRAGE DU RADIATEUR

- ⚠ **AVERTISSEMENT** : Durant le démarrage du radiateur, assurez-vous que le bâtiment est bien ventilé.

- A. Ouvrez le ou les robinets d'alimentation en gaz.
- B. Réglez le thermostat à la position OFF (fermé). Voir la figure 8.

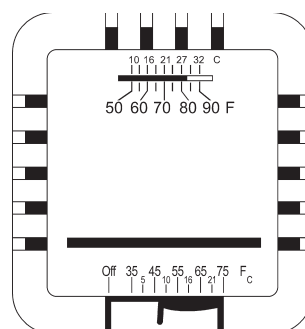


FIGURE 8. COMMANDES DU THERMOSTAT

- C. Si le bouton de commande manuelle sur la soupape de gaz n'est pas à la position OFF, enfoncez-le légèrement et tournez-le à la position OFF. Voir la figure 9.

- D. Attendez 5 minutes pour permettre la dissipation du gaz accumulé dans le brûleur principal (particulièrement important après l'installation).
- E. Tournez le bouton de commande manuelle de gaz à la position PILOT (veilleuse).
- F. Enfoncez le bouton de commande manuelle de gaz. Avec une allumette, allumez la veilleuse. Voir la figure 10. Tenez le bouton enfoncé pendant environ 30 secondes pour permettre à l'air présent dans les conduites de gaz de se rendre à la veilleuse et, une fois la veilleuse allumée, pour permettre au thermocouple de se réchauffer suffisamment pour ouvrir la soupape de sécurité.
- G. Relâchez le bouton de commande manuelle de gaz et mettez-le à ON (ouvert).
- H. Réglez le thermostat à la température désirée.

## REMARQUE

Au démarrage initial du radiateur, une odeur et peut-être un peu de vapeur seront dégagées par le radiateur. Cette odeur et/ou cette vapeur proviennent du liant pour joint d'étanchéité. Au bout d'environ 20 minutes, elles disparaîtront définitivement.

## 3. ARRÊT DU RADIATEUR

- A. Mettez le thermostat hors fonction (OFF).
- B. Tournez le bouton de commande manuelle du gaz à la position PILOT (veilleuse).
- C. Enfoncez légèrement le bouton et tournez-le à la position OFF (arrêt).
- D. Fermez les robinets d'alimentation en gaz.

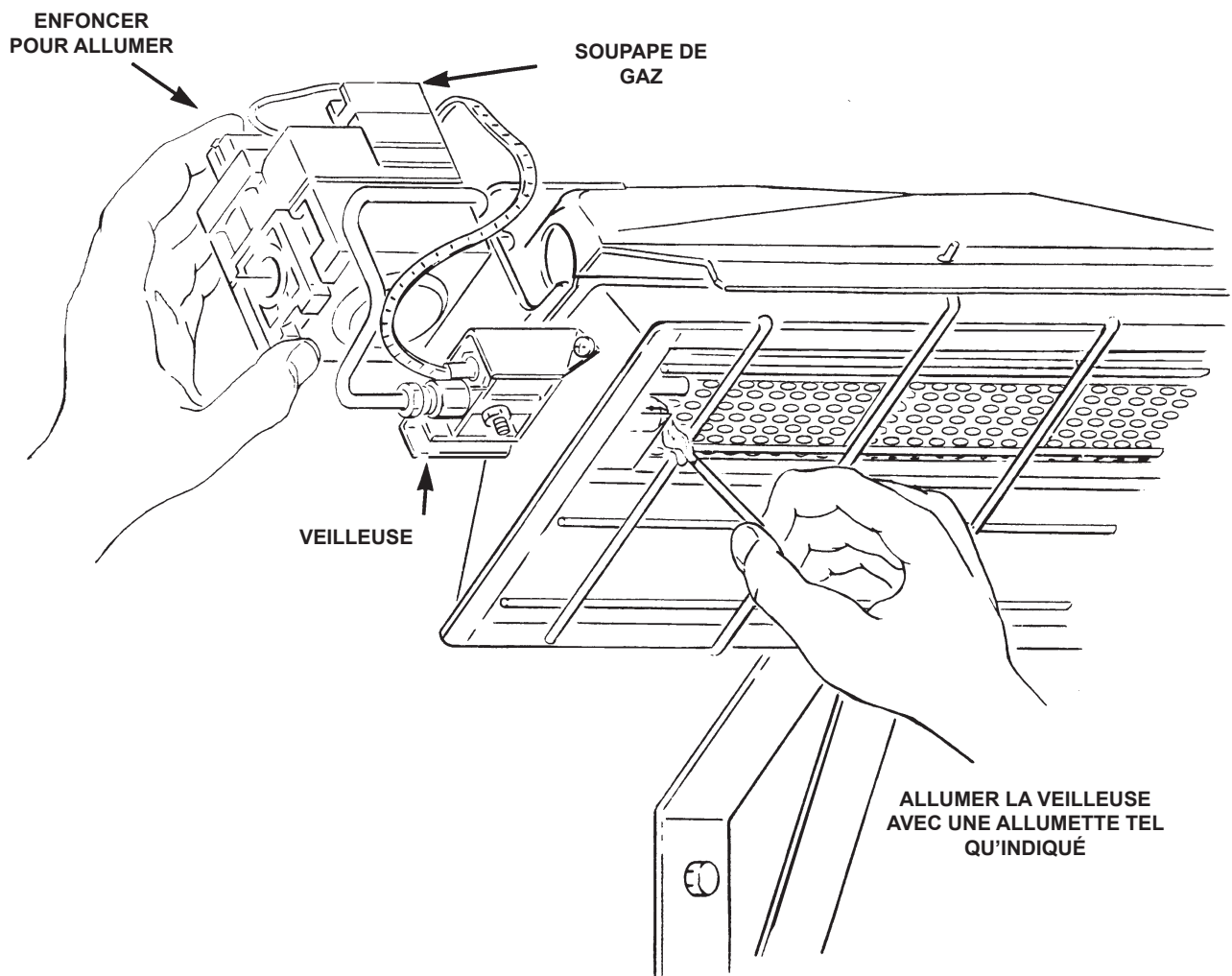


Figure 10. Allumage de la veilleuse

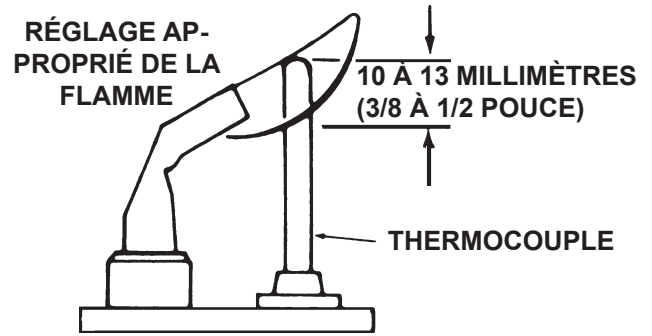
# CHAPITRE IV DIRECTIVES D'ENTRETIEN À L'INTENTION DE L'UTILISATEUR

## 1. DÉPANNAGE

- A. Le tableau 4 énumère les défaillances courantes durant le fonctionnement ou l'entretien de votre radiateur.
- B. Pour plus de renseignements, consultez le bulletin technique Honeywell inclus dans la boîte du radiateur.
- C. Si toutes les solutions énumérées ne permettent pas de régler le problème, appelez l'usine.

## 2. RÉGLAGE DE LA FLAMME DE LA VEILLEUSE

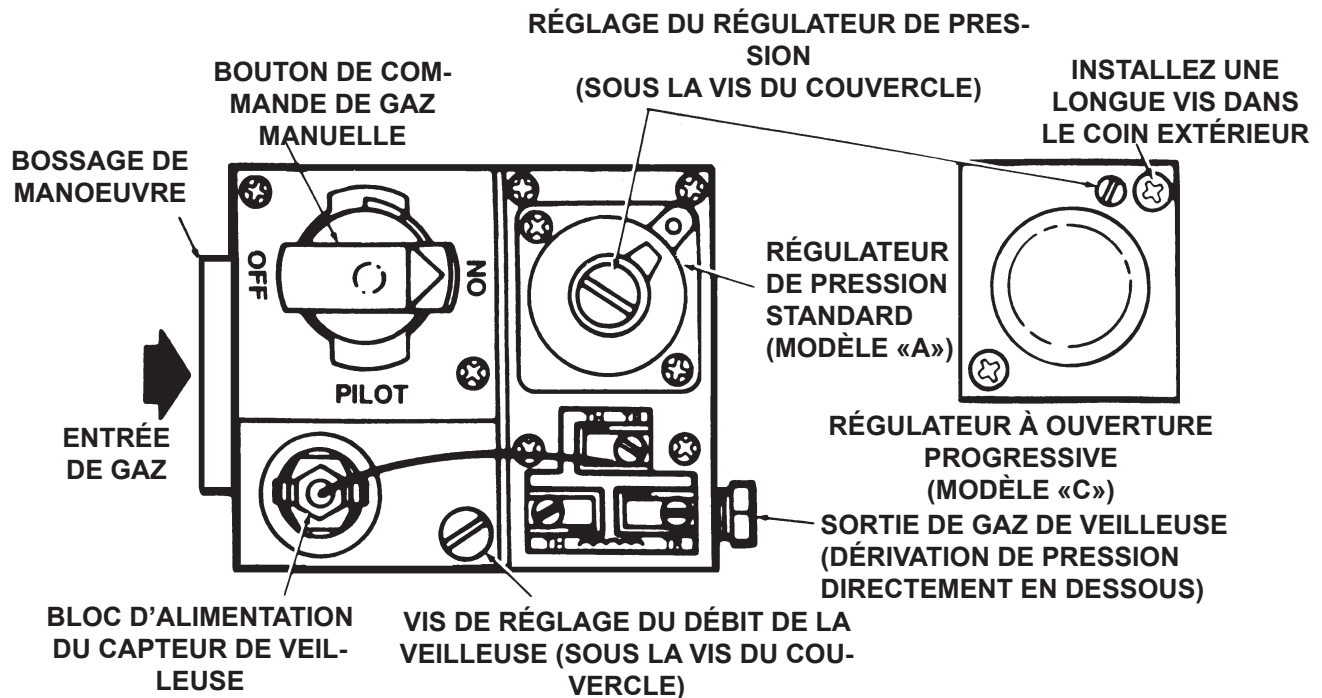
La flamme de la veilleuse doit envelopper 10 à 13 mm (3/8 à 1/2 po) de la pointe du thermocouple ou du générateur. Voir la figure 11. Pour le réglage :



**Figure 11. Réglage approprié de la flamme**

- A. Déposez la vis du couvercle de réglage de la veilleuse. Voir la figure 12.
- B. Tournez la vis de réglage interne dans le sens horaire pour réduire la flamme de la veilleuse et dans le sens antihoraire pour l'augmenter.
- C. Remettez toujours la vis du couvercle après le réglage en la serrant bien pour assurer le bon fonctionnement de la veilleuse.

**Tableau 4. Tableau de dépannage**



**Figure 12. Commande de gaz de capacité standard – vue du dessus**

Le tableau suivant présente différents symptômes d'un système défectueux, les causes possibles de ces symptômes et les mesures correctives suggérées. Le tableau suppose que la pression du gaz combustible est appropriée et que la procédure d'allumage est conforme à celle indiquée sur la plaque rattachée au radiateur.

SYMPTÔMES	CAUSES	SOLUTIONS
allumage très lent de la veilleuse	obturation partielle de l'orifice de la veilleuse, veilleuse mal réglée	remplacer régler de nouveau la veilleuse
allumage très lent de la veilleuse, la couleur de l'infrarouge demeure terne	obturation partielle de l'orifice de la veilleuse	remplacer
retour de flamme du brûleur (fonctionnement bruyant du radiateur et la surface de la grille en céramique est sombre) brûleur endommagé	pression insuffisante du gaz	corriger la pression dans la conduite ou appeler le fournisseur en gaz  remplacer
grille en céramique ou brûleur noirs de suie (alors qu'ils sont neufs ou viennent d'être nettoyés)	vérifier d'abord si l'orifice du brûleur est endommagé  si l'orifice du brûleur n'est pas endommagé vérifier si le collecteur est endommagé	remplacer si endommagé  remplacer
impossible d'allumer la veilleuse	orifice de la veilleuse bloqué  robinet de gaz pas en position  la vis de réglage du débit de gaz à la veilleuse est peut-être fermée	remplacer  le bouton du robinet doit être tourné à PILOT et tenu enfoncé  ouvrir et régler (voir la figure 12)
la veilleuse s'allume puis s'éteint	thermocouple défectueux  commande défectueuse	remplacer  remplacer
la veilleuse demeure allumée mais le brûleur principale ne s'allume pas	fils de raccordement relâchés ou inadéquats  commande défectueuse orifice du brûleur bloqué	serrer les connexions, vérifier mais le brûleur principal le schéma de câblage remplacer nettoyer l'orifice ou remplacer
allumage impossible	gaz secteur coupé air dans la conduite de gaz fils de raccordement relâchés fils de raccordement encrassés	ouvrir les robinets manuels purger la conduite de gaz serrer les fils de raccordement nettoyer et serrer les bornes

### 3. REMPLACEMENT DE LA SOUPAPE DE GAZ

- A. Déposez les deux fils étiquetés «PP» à la soupape de gaz.
- B. Dévissez la soupape de gaz du tuyau.
- C. Reconnectez la soupape de gaz et les fils de la soupape aux bornes «PP». Assurez-vous de laisser le fil du thermostat sur une borne.

### 4. FRÉQUENCE DES INSPECTIONS PAR L'UTILISATEUR

**Usage intermittent.** Les appareils utilisés sur une base saisonnière doivent être inspectés avant leur mise à l'arrêt et avant leur mise en fonction à la saison suivante.

#### Environnement poussiéreux, humide ou corrosif.

Puisque ce type d'environnement peut entraîner une détérioration rapide de la commande de gaz, le système doit être inspecté plus souvent.

La commande de gaz doit être remplacée si :

- A. Elle ne fonctionne pas correctement lors de l'inspection ou du dépannage.
- B. Il est difficile de tourner ou d'enfoncer le bouton de la commande de gaz, ou si le bouton ne remonte pas lorsque relâché.

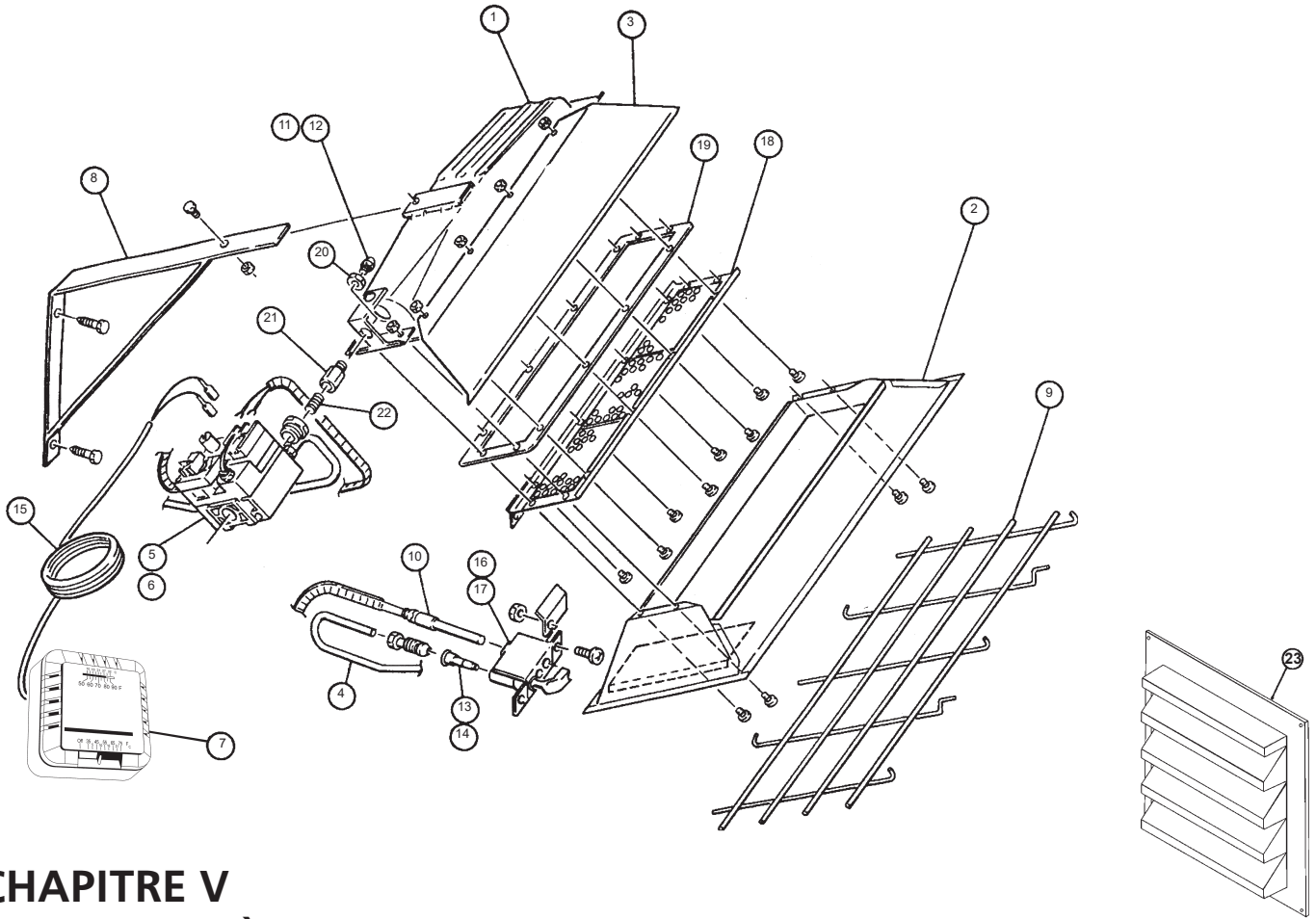
## **SI UNE RÉPARATION EST NÉCESSAIRE**

### **NE RETOURNEZ PAS CET APPAREIL À VOTRE MAGASIN**

Pour plus de renseignements sur les réparations, veuillez appeler notre numéro sans frais : 1 800 251-0001.

Nos heures d'ouverture sont de 8 h 00 à 17 h, HE,  
du lundi au vendredi

Veillez inclure le numéro de modèle, la date de l'achat et la description du problème dans toutes vos communications.



## CHAPITRE V LISTE DES PIÈCES DE RECHANGE

D'ARTICLE	DE NO-MENCLATURE	DESCRIPTION	D'ARTICLE	DE NO-MENCLATURE	DESCRIPTION
1	02529A	Ensemble complet de brûleur	12	05455	Orifice-brûleur-Gaz Propane
2	00377A	Ensemble de Réflecteur	13	05576	Orifice-Veilleuse-Gaz Naturel
3	01357	Déflecteur de gaz de Combustion	14	05573	Orifice-Veilleuse-Gaz Propane
4	16451	Tube de Veilleuse	15	10358	Câble du Thermostat
5	00024	Vanne de gaz - gaz naturel	16	11406	Veilleuse Gaz naturel
6	00025	Vanne de gaz - gaz propane	17	11405	Veilleuse Gaz Propane
7	10367	Thermostat	18	04435A	Grille de Remplacement
8	14405	Support mural	19	12369	Joint d'étanchéité
9	04432	Grille de Protection	20	05354	Contre-écrou
10	09360	Thermocouple/Générateur	21	05351	Connecteur
11	05447	Orifice-brûleur-gaz naturel	22	98593	Raccord simple 1 cm (3/8 po)
			23	19014	Évent à lames

KITS DE CONVERSION EN OPTION	
DE NOMENCLATURE.	DESCRIPTION
F200293	NG to LP CONVERSION
F200294	LP to NG CONVERSION

TOUTES LES RÉCLAMATIONS EN VERTU DE LA GARANTIE REQUIÈRENT UNE PREUVE D'ACHAT

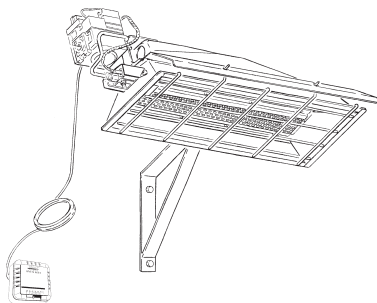


# GUIDE D'UTILISATION ET MANUEL DU PROPRIÉTAIRE

Model #

HS25NG  
HS22LP

**LISEZ SOIGNEUSEMENT LES INSTRUCTIONS :** Lisez et observez toutes les instructions. Conservez les instructions en lieu sûr pour vous y référer ultérieurement. Interdisez à quiconque n'ayant pas lu les présentes instructions d'assembler, d'allumer, de régler ou de faire fonctionner ce radiateur.



## AVERTISSEMENT:

N'UTILISEZ QUE LES PIÈCES DE REMPLACEMENT DU FABRICANT. L'UTILISATION D'AUTRES PIÈCES RISQUE DE CAUSER DES BLESSURES ET LA MORT. LES PIÈCES DE REMPLACEMENT NE SONT OFFERTES QUE PAR LE FABRICANT ET DOIVENT ÊTRE INSTALLÉES PAR UNE ENTREPRISE SPÉCIALISÉE

## INFORMATIONS SUR LA COMMANDE DE PIÈCES :

**ACHAT :** On peut se procurer les accessoires par l'entremise de tous les détaillants locaux Mr. Heater ou directement du fabricant.

### POUR OBTENIR DES INFORMATIONS SUR LE SERVICE

Appelez sans frais au 866-447-2194 • [www.enerco-mrheater.com](http://www.enerco-mrheater.com)

Nos heures d'ouverture sont de 8 h 00 à 17 h HE, du lundi au vendredi.

Veuillez indiquer le numéro du modèle, la date d'achat et la description du problème dans toutes vos communications avec nous.

## GARANTIE LIMITÉE

L'entreprise garantit ce produit contre tout défaut de matériel ou de main-d'œuvre, dans des conditions d'utilisation normale et adéquate, conformément aux instructions de l'entreprise, pour une période de un an à compter de la date de livraison à l'acheteur. L'entreprise réparera ou remplacera, à sa discrétion, les produits retournés port payé par l'acheteur au fabricant dans la période de un an et jugés par l'entreprise comme présentant des défauts de matériel ou de main-d'œuvre.

Si une pièce est endommagée ou manquante, téléphonez à notre service de soutien technique au 866-447-2194.

Adressez toute réclamation relative à la garantie à Service Department, Mr. Heater, Inc., 4560 W. 160TH ST., CLEVELAND, OHIO 44135 États-Unis. Indiquez vos nom, adresse et numéro de téléphone ainsi que les détails de la réclamation. Indiquez-nous également la date d'achat et le nom et l'adresse du détaillant de qui vous avez acheté le produit.

Ce qui est énoncé ci-dessus constitue la responsabilité totale de l'entreprise. Il n'existe aucune autre garantie, expresse ou tacite. Plus précisément, il n'y a aucune garantie concernant l'adéquation à une utilisation particulière ni aucune garantie concernant la qualité marchande. En aucun cas l'entreprise ne saura être tenue responsable des retards causés par des déficiences, ni des dommages indirects, ni des dépenses encourues sans son consentement écrit, quelle que soit leur nature. Le coût de la réparation ou du remplacement sera le seul recours possible en cas de violation de garantie. Il n'y a aucune garantie contre une transgression de ce genre ni aucune garantie tacite découlant des usages du commerce ou de la façon habituelle d'échanger. La présente garantie ne s'applique à aucun produit qui a été réparé ou modifié par d'autres que le fabricant si cela influe de quelque façon que ce soit sur la condition de l'appareil ou son fonctionnement, selon notre jugement.

Certains États ou provinces ne permettent pas d'exclure ou de limiter les dommages indirects ou subséquents. Par conséquent, les limitations ou exclusions ci-dessus mentionnées ne vous concernent peut-être pas. La présente garantie vous accorde des droits juridiques précis, mais vous pourriez avoir d'autres droits qui varient selon la province ou l'État.

Mr. Heater, Inc. se réserve le droit d'effectuer des modifications en tout temps, sans préavis ni obligation, aux couleurs, aux spécifications, aux accessoires, aux matériaux et aux modèles.

ENREGISTREMENT DU PRODUIT : Nous vous remercions de votre achat.

Veuillez vous connecter à <http://www.egiregistration.com> pour enregistrer votre produit.



ANSI Z83.6b-1993 CAN 1-2.16-M81

Modèle HS25NG/LP

F16

Notice d'installation et guide d'utilisation





# INSTRUCCIONES DE USO Y MANUAL DEL USUARIO

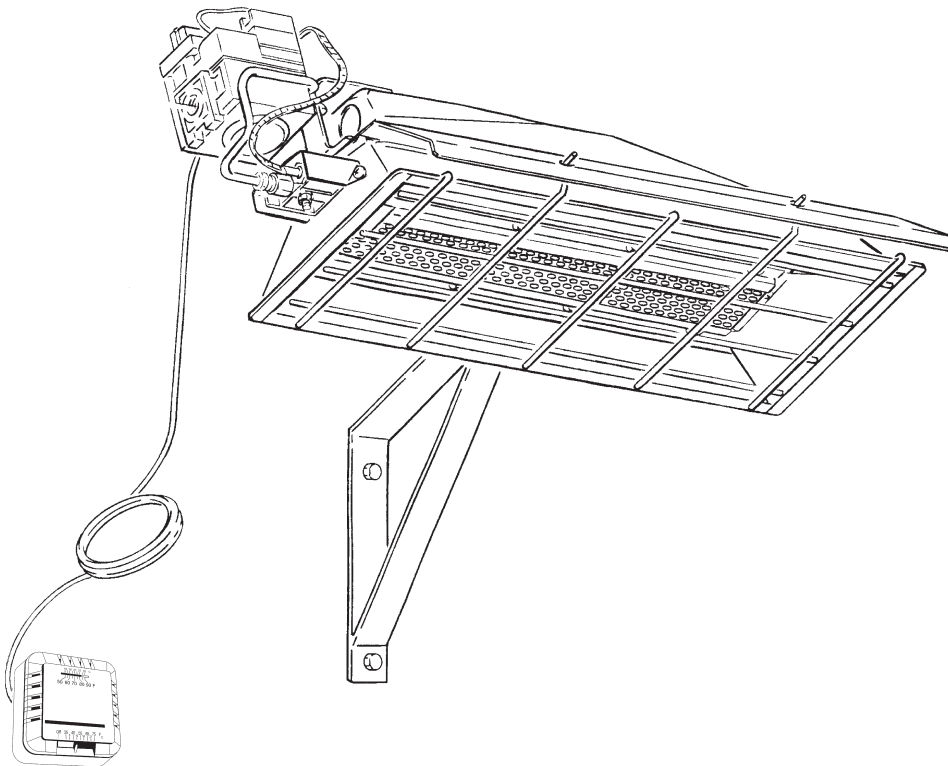
Modelo #

HS25NG

HS22LP

**LEA LAS INSTRUCCIONES DETENIDAMENTE:** Lea y siga todas las instrucciones. Guarde las instrucciones en un lugar seguro en caso de que necesite consultarlas en un futuro. No permita que nadie que no haya leído estas instrucciones ensamble, encienda, ajuste u opere el calentador.

## CALENTADOR INFRARROJO A GAS PARA TALLER



### LANGUAGES

ENGLISH

Pages E1 — E16

SPANISH

Pages S1 — S16

FRENCH

Pages F1 — F16

**⚠ ADVERTENCIA:** Si no se sigue la información de este manual con exactitud, puede producirse un incendio o una explosión, y provocar daños a la propiedad, lesiones personales o la muerte.

- No almacene ni utilice gasolina ni otros vapores y líquidos inflamables en las proximidades de este artefacto ni de ningún otro artefacto.

- QUÉ HACER SI DETECTA OLOR A GAS

- Corte el suministro de gas.
- No intente encender ningún artefacto.
- No toque ningún interruptor eléctrico; no use ningún teléfono del edificio.
- Llame de inmediato al suministrador de gas desde el teléfono de un vecino. Siga las instrucciones del suministrador de gas.
- Si no puede comunicarse con el suministrador de gas, llame al departamento de bomberos.

- La instalación y el mantenimiento deben ser realizados por un instalador calificado, una agencia de reparación calificada o el suministrador de gas.

**⚠ ADVERTENCIA:** Éste es un calentador a gas sin ventilación. Utiliza aire (oxígeno) de la habitación en la que se instala. Se debe proporcionar aire de ventilación y de combustión adecuado. Consulte la sección Aire fresco para la combustión y ventilación en la página 3 de este manual.

**⚠ ADVERTENCIA:** La instalación, el ajuste, la alteración, la reparación o el mantenimiento indebidos pueden provocar daños, lesiones o la muerte. Antes de instalar o reparar este equipo, lea detenidamente las instrucciones de instalación, funcionamiento y mantenimiento. Para obtener ayuda o información adicional, consulte con un instalador calificado, una agencia de reparación calificada o el suministrador de gas.

## ADVERTENCIAS

**⚠ ADVERTENCIA:** La instalación, el ajuste, la alteración, la reparación o el mantenimiento indebidos pueden provocar daños, lesiones o la muerte. Antes de instalar o reparar este equipo, lea detenidamente las instrucciones de instalación, funcionamiento y mantenimiento. Para obtener ayuda o información adicional, consulte con un instalador calificado, una agencia de reparación calificada o el suministrador de gas.

**⚠ ADVERTENCIA:** Cuando el calentador se utiliza sin aire fresco, es posible que emane MONÓXIDO DE CARBONO, que es un gas tóxico e inodoro. CUANDO USE EL CALENTADOR, ABRA LA VENTANA UNA O DOS PULGADAS PARA QUE ENTRE AIRE FRESCO.

**⚠ ADVERTENCIA:** Este calentador tiene un SISTEMA DE SEGURIDAD CON LLAMA PILOTO. NO TOQUE EL SISTEMA DE SEGURIDAD CON LLAMA PILOTO.

**⚠ ADVERTENCIA:** Si el calentador se apaga, no vuelva a encenderlo hasta que ingrese aire fresco. Si continúa apagándose, hágalo reparar. Mantenga limpios el quemador y el control. Abra la puerta durante cinco minutos.

Mantenga los espacios libres que se indican en la Figura 2 o en la placa del calentador.

- PARA COMPROBAR SI EXISTEN FUGAS DE GAS, NO USE FÓSFOROS U OTRO TIPO DE LLAMA.
- NO SUPERE LA PRESIÓN DE ENTRADA DE 1/2 PSI AL CALENTADOR.

**PELIGRO:** La intoxicación por monóxido de carbono puede causar la muerte.

## Intoxicación por monóxido de carbono:

Los síntomas tempranos de intoxicación por monóxido de carbono se asemejan a la gripe, con dolor de cabeza, mareos o náuseas. Si tiene estos síntomas, es posible que el calentador no esté funcionando correctamente. Tome aire fresco de inmediato. Haga reparar el calentador. Algunas personas se verán más afectadas por el monóxido de carbono que otras. Por ejemplo, mujeres embarazadas, personas con afecciones cardíacas o pulmonares, anemia, quienes se encuentren bajo la influencia del alcohol o en la altura.

## AVISO

- Nunca conecte la válvula de gas o el termostato al voltaje de línea o a un transformador.
- Si el color infrarrojo de la parrilla se oscurece cuando la calefacción del edificio está en funcionamiento, consulte al suministrador de gas cuáles son los tamaños correctos de los conductos para el suministro de gas.
- ¡Este calentador sólo debe instalarse en interiores!

## NOTA

El material fijador de las juntas que se utiliza en el ensamble de este calentador emitirá temporalmente un olor o vapor. Ese estado pasará en aproximadamente 20 minutos y no volverá a ocurrir en lo sucesivo. Consulte sobre ventilación en el Capítulo 2.

## ADVERTENCIA:

**⚠** El Estado de California exige la publicación de la siguiente advertencia:  
LA COMBUSTIÓN GENERADA CUANDO SE UTILIZA ESTE PRODUCTO CONTIENE MONÓXIDO DE CARBONO, UN QUÍMICO QUE EL ESTADO DE CALIFORNIA RECONOCE COMO CAUSANTE DE CÁNCER Y MALFORMACIONES CONGÉNITAS (U OTROS DAÑOS REPRODUCTIVOS).

## ÍNDICE

Capítulo	Título	Página
I	Introducción .....	S3
II	Instalación del calentador.....	S5
III	Instrucciones de funcionamiento del calentador .....	S10
IV	Instrucciones de mantenimiento para el operador .....	S12
V	Lista de repuestos .....	S15

# CAPÍTULO I INTRODUCCIÓN

## 1. EQUIPO

Este calentador es la versión comercial de un calentador industrial para empresas de servicio público altamente exitoso, ampliamente probado, infrarrojo y de funcionamiento a gas.

No requiere una fuente eléctrica externa para funcionar.

En la Figura 1 se indican los principales componentes del calentador y su instalación característica. El calentador básico está compuesto por el ensamble

completo del quemador, un deflector de gas de combustión, una parrilla, el ensamble del reflector y un protector.

## 2. FINALIDAD DEL EQUIPO

### ADVERTENCIAS

- ⚠ Este calentador sólo debe instalarse en interiores.
- ⚠ Este calentador ha sido diseñado para calentar espacios de interior. No debe usarse en espacios habitados, pequeños o cerrados.

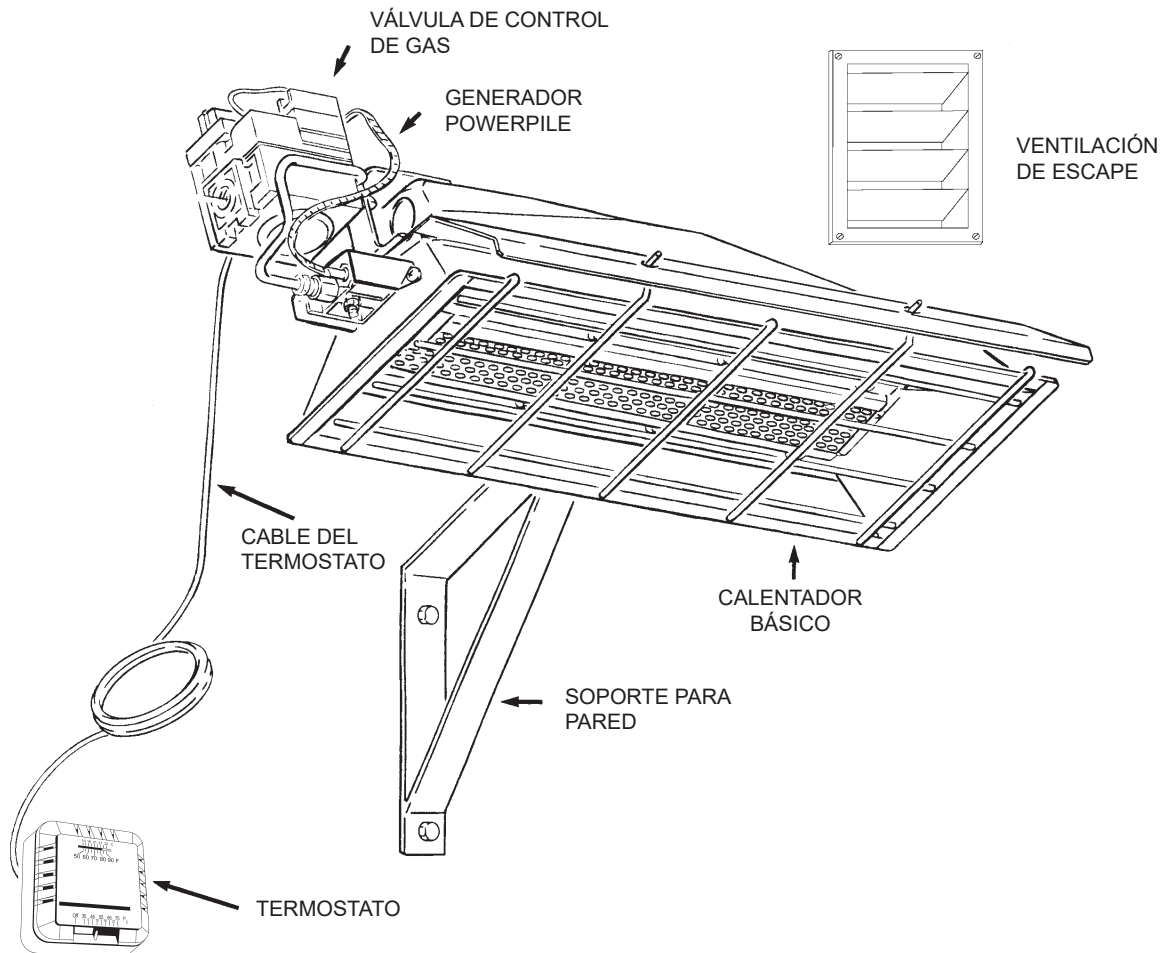


Figura 1. Principales componentes del calentador

### 3. INFORMACIÓN GENERAL

- El calentador viene de fábrica completamente ensamblado y ha sido probado con el tipo de gas adecuado y con las presiones de entrada que figuran en la placa.
- Al recibirlo y antes de instalarlo, asegúrese de inspeccionar el calentador y su embalaje para determinar si presentan daños o si faltan componentes. Si se detecta que ha sufrido daños o se sospecha que pueden faltar componentes, comuníquese con el vendedor. Consulte en el Capítulo 5 la lista completa de artículos necesarios para la instalación y el uso de este calentador con seguridad y eficiencia.
- Nunca intente hacer funcionar el calentador con un combustible que no sea el que se establece específicamente en la placa.
- La instalación del calentador debe cumplir con todos los códigos de construcción locales o, si no existieran códigos locales en vigencia, con el National Fuel Gas Code (Código Nacional de Gas Combustible), ANSI Z223.1 (Instituto Nacional Estadounidense de Estándares), (NFPA 54 [Asociación Nacional de Protección contra Incendios]). Este código se puede solicitar a: Canadian Standards Association, 8501 East Pleasant Valley Road, Cleveland, OH 44131; o a la NFPA, Battery March Park, Quincy, MA 02269.
- Las instalaciones que se realicen en Canadá deberán cumplir con el código de gas CAN/CGA-B149.1.2, que puede comprarse en la Canadian Gas Association (Asociación Canadiense de Estándares), 55 Scarsdale Road, Don Mills, Ontario M3B 2R3.
- Cuando el artefacto deba ser instalado a gran altura, comuníquese con la fábrica. La fábrica entrega un juego de conversión para gran altura con instrucciones y placa con fecha.
- Se provee la conexión de medición de prueba en un control de gas del calentador NPT de 1/8" conectado.
- **Consulte las especificaciones del calentador en la Tabla 1 y 2:**

**⚠ ADVERTENCIA:** La instalación, el ajuste, la alteración, la reparación o el mantenimiento indebidos pueden provocar daños, lesiones o la muerte. Antes de instalar o reparar este equipo, lea detenidamente las instrucciones de instalación, funcionamiento y mantenimiento. Para obtener ayuda o información adicional, consulte con un instalador calificado, una agencia de reparación calificada o el suministrador de gas.

- Para obtener más información, comuníquese con: Mr. Heater Llame al número gratuito 866-447-2194 o visite [www.mrheater.com](http://www.mrheater.com)

Los siguientes manuales adicionales de la NFPA son útiles al momento de instalar este calentador en un lugar no previsto en este manual:

Número	Tema relacionado
NFPA 88	Espacios libres con respecto a superficies inflamables
NFPA 409	Espacios libres con respecto a superficies inflamables

**⚠ NO SUPERE LA PRESIÓN DE ENTRADA DE 1/2 PSI AL CALENTADOR**

Asegúrese de que haya un espacio libre adecuado con respecto a los combustibles según lo establecido en la Tabla 3 en el extremo de control del calentador para realizar reparaciones, y un espacio mínimo arriba y en los lados para favorecer la ventilación y el suministro de aire para la combustión.

Un espacio libre mínimo de ocho pulgadas sobre el piso para los garajes públicos según la edición más actualizada de la norma n.º 88 de la NFPA, o la Figura 1; el que sea más grande.

Las instalaciones en garajes públicos en Canadá deben cumplir con la edición más actualizada de la norma 149B.1.9 de la CGA.

**⚠ ADVERTENCIA:** Mantenga los espacios libres que se indican en la Figura 2 o en la placa del calentador.

**Tabla 1. Índices en BTU y presiones de suministro**

N.º DE MODELO	ÍNDICE EN BTU/HR.		PRESIÓN DEL SUMINISTRO DE GAS (W.C.)						TAMAÑO DEL ORIFICIO	
	GAS		MÍN.		MÁX.		COLECTOR		DEL ORIFICIO	
	NATURAL	PROPANO	NAT.	L.P.	NAT.	L.P.	NAT.	L.P.	NAT.	L.P.
MH/HS25NG	25,000	—	7.0"	—	14"	—	6"	—	45	—
MH/HS22LP	—	22,000	—	11"	—	14"	—	10"	—	55

**Tabla 2. Dimensiones del calentador y tamaños de orificio**

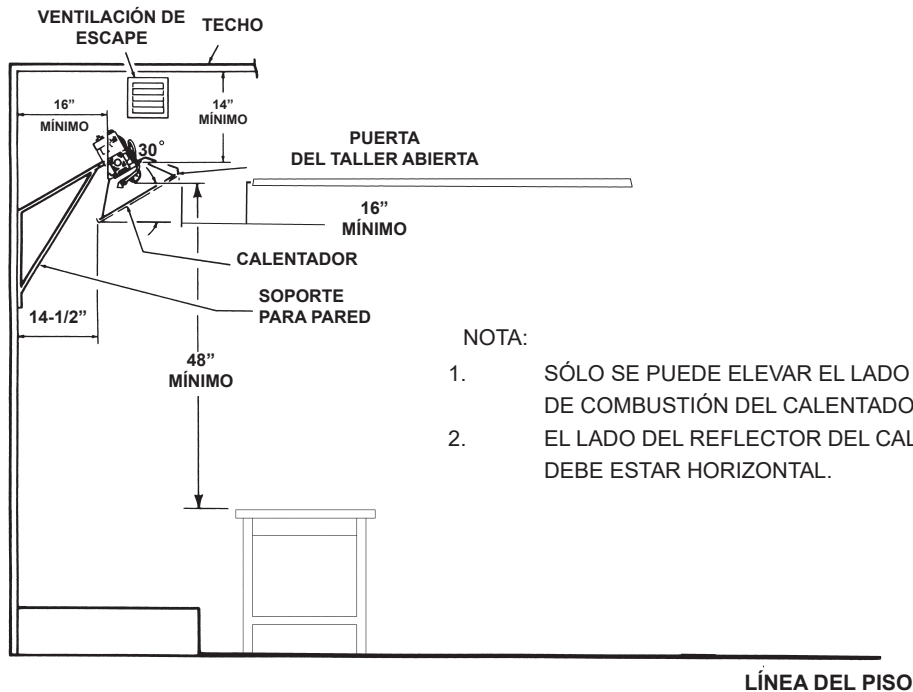
N.º DE MODELO	PRESIÓN DE FUNCIONAMIENTO	TAMAÑO DE ORIFICIO		POTENCIA BTU/HR.	EN DEL ORIFICIO			
		QUEMADOR	PILOTO		ANCHO	LONGITUD	ALTURA	PESO
MH/HS25NG	6.0" w.c.	45	.018	25.000	12-1/4"	29-3/4"	7"	20 libras
MH/HS22LP	10" w.c.	55	.011	22,000	12-1/4"	29-3/4"	7"	20 libras

# CAPÍTULO II INSTALACIÓN DEL CALENTADOR

## 1. INFORMACIÓN Y REQUISITOS GENERALES DE INSTALACIÓN

En la Figura 2 y en la Tabla 3 se ilustran los espacios libres mínimos que deben dejarse con respecto a las superficies inflamables. Como se observa en la Figura 2, la parte delantera del calentador se instala

dejando el espacio libre mínimo obligatorio con respecto a las superficies inflamables y de cara al espacio abierto, mientras que los demás lados deben tener un espacio libre mínimo de 16 pulgadas con respecto a las



superficies inflamables.

**Figura 2. Espacios libres que deben dejarse en la instalación con respecto a las superficies inflamables**

**Tabla 3. Información de instalación, ventilación y montaje**

N.º DE MODELO	ÍNDICE EN BTU/HR. GAS		POSICIÓN NORMAL DE MONTAJE	ESPACIOS LIBRES CON RESPECTO A SUPERFICIES INFLAMABLES			
	NAT.	L.P.		ARRIBA	LADOS	ATRÁS	ABAJO
MH/HS25NG	25,000	—	30°	14"	16"	16"	48"
MH/HS22LP	—	22,000	30°	14"	16"	16"	48"

- Este calentador puede montarse sobre la pared. Sin embargo, se recomienda montarlo en la mitad de la pared opuesta a las puertas basculantes.
- Al elegir lugares de instalación para este calentador, asegúrese de que al abrir puertas o ventanas exteriores o interiores no se interfiera con los espacios libres mínimos ni se toquen los componentes del calentador.
- Si existe una puerta basculante en el edificio, verifique que el calentador no esté instalado de modo tal que interfiera con el funcionamiento de la puerta y verifique que la puerta en posición abierta no reduzca los espacios libres a una distancia inferior a la que establecen los requisitos mínimos. Nunca coloque el calentador en una posición por encima de una puerta basculante abierta.

- En la mayoría de los casos, la infiltración alrededor de las puertas y ventanas de entrada no aisladas permitirá que entre la suficiente cantidad de aire fresco para que el calentador funcione eficientemente.

Es fundamental que exista un flujo de aire ilimitado durante el funcionamiento del calentador para evitar que el área que se encuentra por encima del calentador instalado se caliente en exceso. Si el taller o edificio de servicio público está rigurosamente aislado (por ejemplo, en las ventanas, puertas, aberturas, etc.), deben seguirse los siguientes métodos de ventilación:

- El calentador viene con una sola ventilación de escape para su practicidad. Dicha ventilación debe colocarse por encima del calentador (preferentemente en la parte más alta del interior del edificio) y debe ventilar hacia afuera del edificio. Para quienes tienen un taller o edificio de servicio público terminado, la fábrica provee una ventilación adicional.
- Debajo del calentador (preferentemente a no más de dos pies de distancia del piso del edificio), se debe colocar una ventilación de entrada de aire, o equivalente, desde el exterior del edificio con un área efectiva de 75 pulgadas cuadradas.
- Las aberturas equivalentes a una ventilación de entrada de aire serían: puertas y ventanas parcialmente abiertas.
- Con aberturas de este tamaño (5 pulgadas por 13 pulgadas, o 3 pulgadas por 25 pulgadas), se evitará la peligrosa acumulación de calor encima del calentador.

Asegúrese de que no haya líneas de gas o conductos o cables eléctricos que interfieran con el montaje del calentador en la pared.

Según los códigos y requisitos locales y la capacidad del instalador, es posible que se requiera la ayuda de un profesional para determinar el tamaño e instalar las líneas de gas necesarias para suministrar gas al calentador. Si tiene dudas sobre estos requisitos, hable sobre los requisitos de este manual con el vendedor del calentador y con el suministrador de gas, o llame a nuestro departamento de atención al cliente al 1-866-447-2194.

La elección del lugar para montar el termostato es fundamental para que el calentador funcione con eficiencia y eficacia.

- El termostato debe instalarse a alrededor de cinco pies por encima del piso para que pueda circular aire libremente a su alrededor.
- No se debe montar el termostato directamente sobre una pared exterior fría sin un bloque de montaje aislado.
- No se debe montar el termostato en corrientes de aire directas.
- No se debe montar el termostato directamente debajo del calentador instalado.
- No se debe instalar el termostato a una distancia mayor con respecto al calentador que la longitud del cable del termostato.

## 2. INSTRUCCIONES DE MONTAJE DEL CALENTADOR

Después de elegir el lugar para instalar el calentador y el lugar del termostato y de verificar y asegurarse de que se cumpla con todos los requisitos de colocación antes mencionados, coloque el calentador de la siguiente manera:

- A. Determine cómo desea instalar la ventilación de acuerdo con la construcción del edificio y su preferencia personal. (Es decir, ¿desea el lado con brida [terminado] del interior o exterior del edificio, o desea dos ventilaciones para que tanto el exterior como el interior queden terminados?) Si es necesario, pida otra ventilación a la fábrica. Nuestra dirección y nuestro número de teléfono gratuito figuran en la contratapa de este manual. Instale la ventilación de la siguiente manera:
  1. Consulte en la Figura 3 las dimensiones y la información sobre la ventilación.
  2. Elija un lugar lo más alto posible con respecto al calentador de acuerdo con los requisitos antes mencionados y asegúrese de que el respiradero o los respiraderos no estén en contacto ni interfieran con los sistemas existentes en el edificio (es decir, conductos, cableado, cañerías, etc.).
  3. Coloque el lado incompleto del respiradero contra la pared en el lugar elegido y, con un lápiz u otro marcador adecuado, trace sus dimensiones sobre la pared.
  4. Corte o haga un agujero en la pared, o las paredes en el caso de edificios terminados, que tenga las dimensiones del lado incompleto del respiradero.
  5. Instale el respiradero o los respiraderos como desee y afirmelo con cuatro soportes de ajuste adecuados que pasen por los orificios ya perforados en la brida del respiradero.
- B. Prepárese para instalar el soporte del calentador para pared de la siguiente manera:
  1. Si el soporte se colocará sobre una pared de tablaroca y entramado, consulte las dimensiones en la Figura 3, ubique un entramado y perfore dos orificios de guía de 1/8" en la línea central del entramado. Use una plantilla para facilitar la instalación.
  2. Si el soporte se colocará sobre una pared de ladrillo o mampostería, consulte las dimensiones en la Figura 3. Obtenga dos tacos de expansión de 1/4 de pulgadas (diámetro interno) y determine el tamaño correcto que usará para perforarlos. Perfore orificios del tamaño correcto en el ladrillo o la mampostería para colocar los tacos.
- C. Coloque el soporte para pared sobre la pared y alinee los dos orificios pasantes del soporte con los orificios o tacos de guía. Pase tornillos de compresión de 1/4 pulgadas por 2-1/2 pulgadas por el soporte hasta el entramado o los tacos.

Ajústelos.

- D. Ubique el sujetador de montaje del calentador en la parte trasera del calentador y elija el perno de cabeza hexagonal de 1/4" – 20 por 3/4" y la tuerca hexagonal de 1/4" - 20.
- E. Coloque el calentador como se observa en la Figura 3, y pase el sujetador de montaje del calentador sobre el soporte, y pase el perno por el sujetador y el soporte.
- F. Coloque la tuerca hexagonal en el perno y ajústela.
- G. Asegúrese de que el lugar elegido para colocar el termostato cumpla con todos los requisitos antes mencionados. Para obtener información adicional sobre la conexión a tierra e instrucciones de montaje, consulte las instrucciones que vienen con el termostato.
- H. Si la pared es de entramado y tablaroca, entonces use tornillos autorroscantes n.º 6 por 1 pulgada, que vienen con el termostato, y coloque el termostato en el lugar elegido.
- I. Si la pared es de ladrillo o mampostería, deberá obtener los tacos adecuados para adaptar los tornillos de montaje del termostato. Use la placa trasera del termostato como plantilla para marcar los lugares de los orificios, perfore orificios de

tamaño adecuado para los tacos, instale los tacos y afirme el termostato con los tornillos.

- J. Conecte los cables del termostato a la válvula de gas como se observa en la Figura 4.

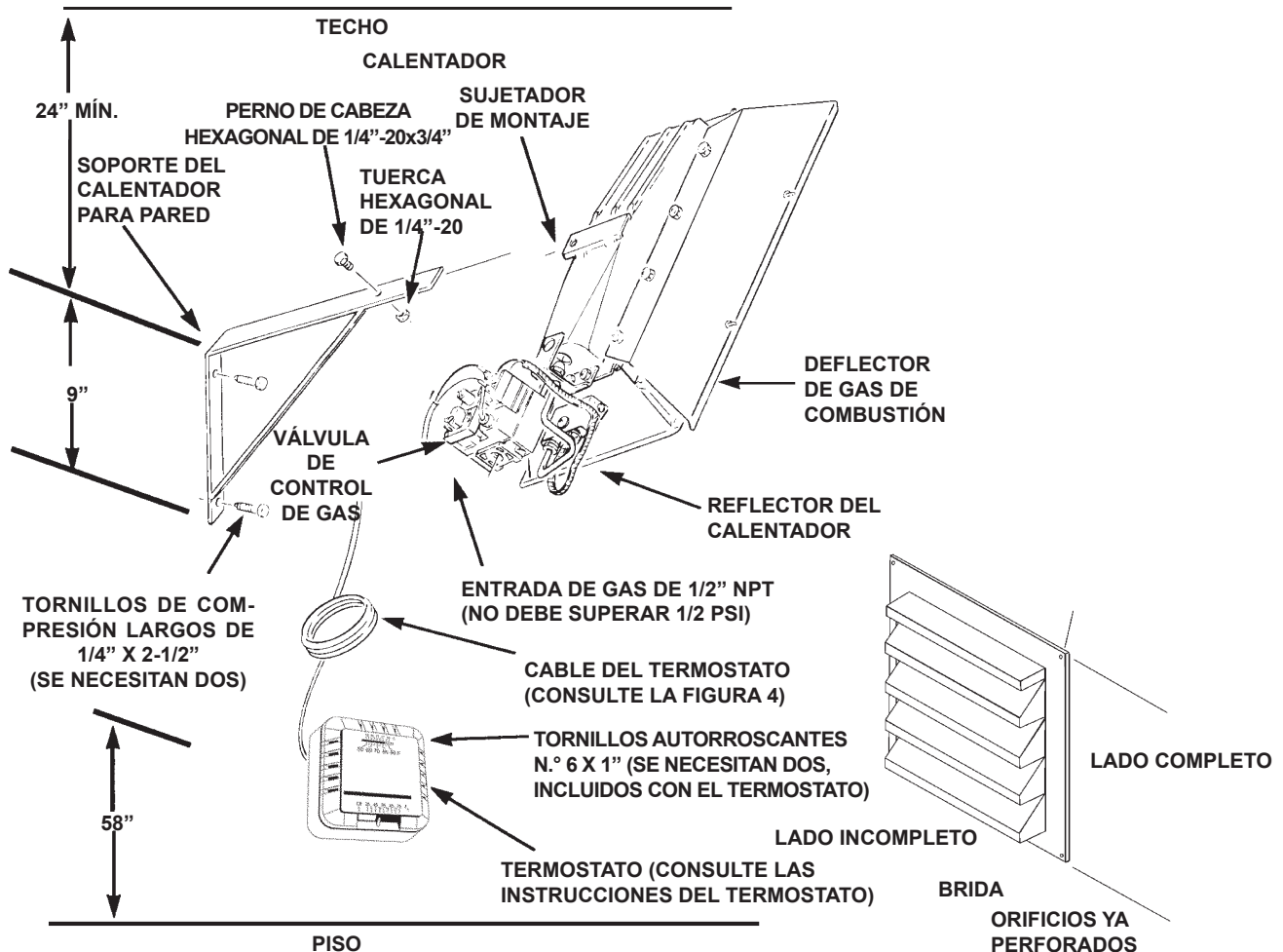
Consulte el Código Eléctrico Nacional NFPA70-1993 y para las instalaciones eléctricas en Canadá, el CÓDIGO C22.1-

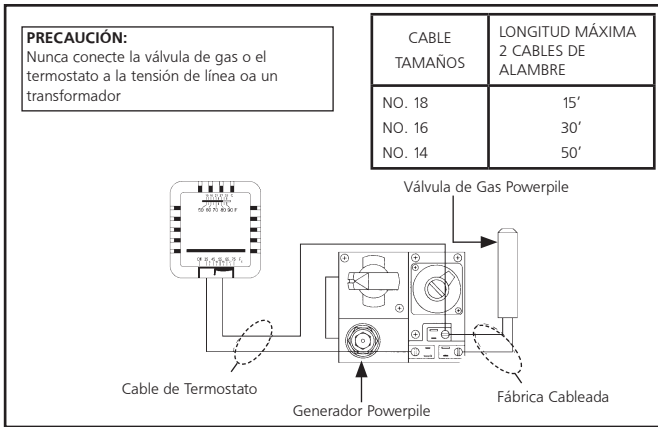
### 3. CONEXIÓN DEL CALENTADOR AL SUMINISTRO DE GAS

**⚠ ADVERTENCIA:** Según los códigos y requisitos locales y la capacidad del instalador, es posible que se requiera la ayuda de un profesional para determinar el tamaño e instalar las líneas de gas necesarias para suministrar gas al calentador de forma segura y eficiente. Si tiene dudas sobre estos requisitos, hable sobre los requisitos de este manual con el vendedor del calentador y con el suministrador de gas.

#### 3.1 Requisitos para el suministro de gas

Figura 3. Información de montaje del calentador





**Figura 4. Diagrama de conexión**

- Consulte en las Tablas 1 y 2 cuál es la presión mínima, máxima, de funcionamiento y del colector para ambos modelos de calentador. Las presiones se establecen en pulgadas de W.C. (water column, columnas de agua). Además, consulte las placas de especificaciones del calentador.

**⚠ ADVERTENCIA:** El modelo MH/HS25NG está diseñado para la combustión de gas natural y viene con un regulador. El regulador está incorporado a la válvula de gas. La presión máxima de entrada al regulador es de 1/2 psi (14 pulgadas W.C.). Si la presión de las líneas de gas supera 1/2 psi, entonces habrá que instalar otro regulador antes del calentador/regulador para bajar la presión a un máximo de 1/2 psi.

- La mayoría de los servicios de gas natural para viviendas tienen una presión de línea de 4 onzas (6.9 pulgadas W.C.). Si tiene alguna duda, consulte con el suministrador de gas natural.
- Para que el calentador a gas natural funcione óptimamente, asegúrese de que la presión de suministro del colector sea de 6 pulgadas W.C. como mínimo.

**⚠ ADVERTENCIA:** El modelo MH/HS22LP está diseñado para la combustión de gas licuado (LP) y viene con un regulador. El regulador está incorporado a la válvula de gas. La presión máxima de entrada al regulador es de 1/2 psi (14 pulgadas W.C.). Si la presión de las líneas de gas supera 1/2 psi, entonces habrá que instalar otro regulador antes del calentador/regulador para bajar la presión a un máximo de 1/2 psi.

- Para que el calentador a gas natural funcione óptimamente, asegúrese de que la presión de suministro del colector sea de 1/2 psi como mínimo (14 pulgadas W.P.).

### 3.2 Requisitos relativos a los conductos

Todos los conductos instalados deben cumplir con los códigos y las ordenanzas locales o con el Código Nacional de Gas Combustible,

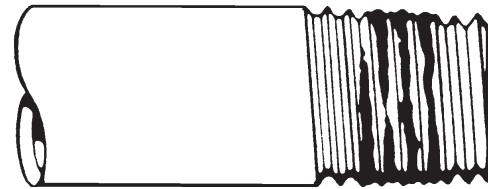
ANSI Z223.1 (NFPA 54), el que tenga prioridad. Al instalar los conductos, se deben tener en cuenta los siguientes requisitos: las instalaciones realizadas en Canadá deben cumplir con el código de gas B149.1.2.

- Use un conducto negro nuevo debidamente escariado que no tenga virutas.
- Antes del ensamble, aplique un compuesto para conductos de buena calidad en todas las roscas macho según se observa en la Figura 5. Si se usa gas licuado como combustible, asegúrese de que el compuesto para conductos sea resistente al gas licuado. No use cinta Teflon™.

**Figura 5. Aplicación del compuesto para conductos**

- Las roscas macho del conducto que se instalará en la válvula de gas deben cumplir con los requisitos de la Figura 6. Las

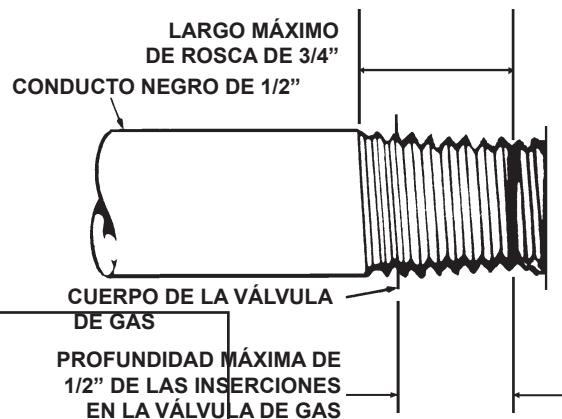
**USE UNA CANTIDAD MODERADA DE SELLADOR PARA CONDUCTOS**



**DEJE DOS ROSCAS DESCUBIERTAS**

rosclas que superen la longitud de las que se muestran en la figura pueden provocar la distorsión y el funcionamiento indebido de la válvula de gas.

- En la línea que conduce a la válvula de gas, se debe instalar un separador de sedimentos que cumpla con los requisitos característicos de la Figura 7.
- En la línea de suministro de gas se debe instalar una llave de paso especial para el calentador.



**Figura 6. Requisitos de conexión de la válvula de gas**



### 3.3 Instalación de conductos

Instale los conductos de la siguiente manera, asegurándose de que se cumpla con todos los requisitos relativos al suministro de gas y los conductos:

- A. De acuerdo con los requisitos antes mencionados para conductos, ensamble los conductos, el separador de sedimentos, la llave de paso y los accesorios necesarios. Ajuste todos los componentes.

**⚠ ADVERTENCIA:** Si las roscas macho del conducto que se instalará en la válvula de gas no cumplen con los requisitos de la Figura 6, pueden producirse daños, distorsión y un funcionamiento indebido en la válvula de gas.

- B. Instale una boquilla roscada en la válvula de gas, preparada de acuerdo con el párrafo 3.2.

- C. Conecte el conducto de gas a la boquilla instalada en la válvula de gas.

**⚠ ADVERTENCIA:** Al probar el conducto de gas, use sólo una solución de agua y jabón. Para probar si pierde gas, no use fósforos u otro tipo de llama. Si al comprobar si existen fugas se detecta olor a gas, corte el suministro de gas y ventile el edificio.

- D. Asegúrese de que el edificio esté debidamente ventilado. Sin encender la llama piloto del calentador, abra la válvula del suministro de gas y presurice los conductos hasta la válvula de gas del calentador.

- E. Con un cepillo, aplique una solución de agua y jabón en todas las conexiones y verifique si se forman burbujas que indiquen una fuga. Si se detecta una fuga, corte el suministro de gas y ajuste las conexiones. Repita la prueba en las conexiones y ajústelas.

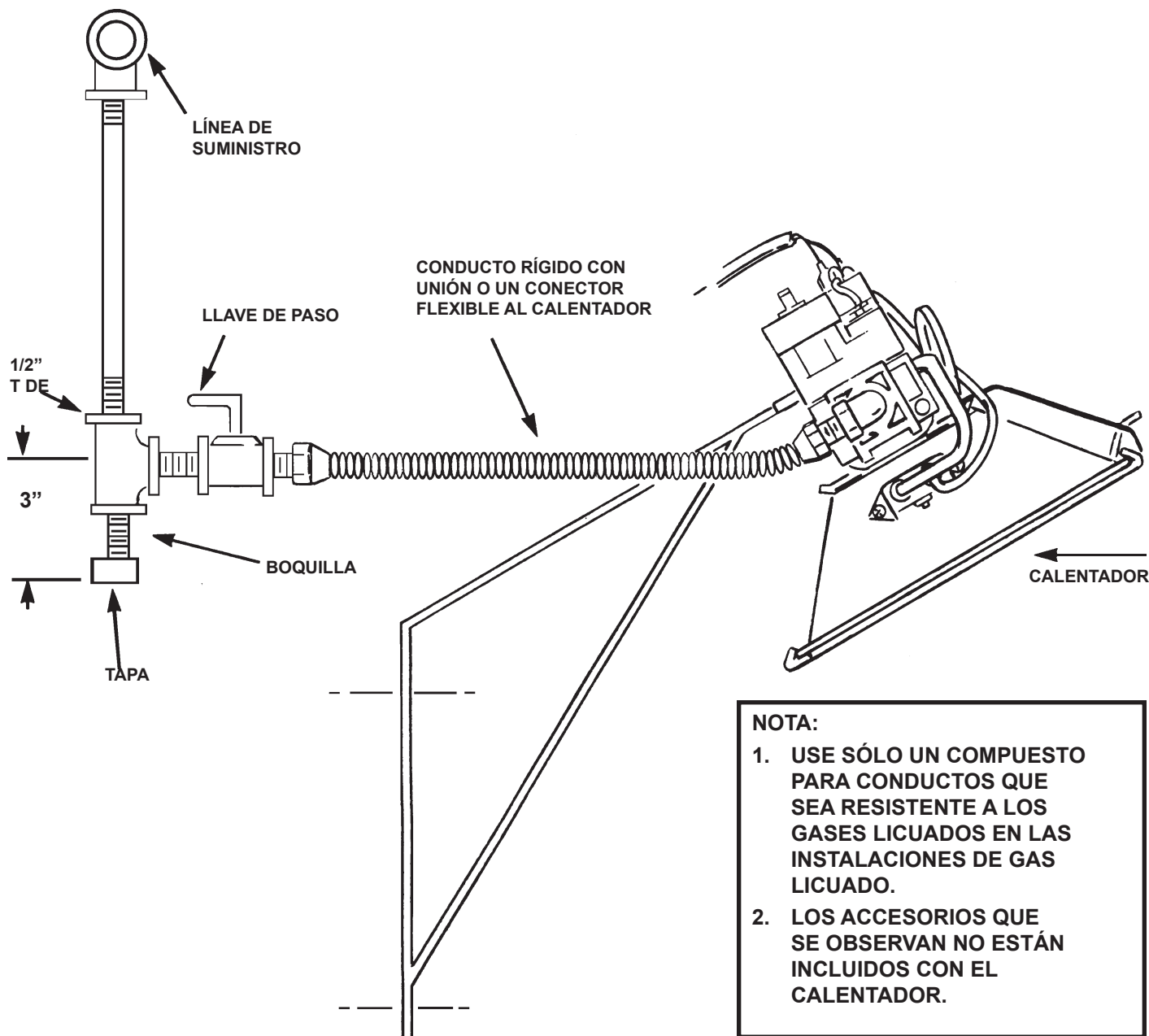


Figura 7. Instalación característica de los conductos

# CAPÍTULO III INSTRUCCIONES DE FUNCIONAMIENTO DEL CALENTADOR

## 1. INSTRUCCIONES DE FUNCIONAMIENTO SEGURO

- ⚠ **ADVERTENCIA:** Cuando el calentador se utiliza sin aire fresco, es posible que emane MONOXIDO DE CARBONO, que es un gas tóxico e inodoro. CUANDO USE EL CALENTADOR, ABRA LA VENTANA UNA O DOS PULGADAS PARA QUE ENTRE AIRE FRESCO.
- ⚠ **ADVERTENCIA:** Este calentador tiene un SISTEMA DE SEGURIDAD CON LLAMA PILOTO. NO TOQUE EL SISTEMA DE SEGURIDAD CON LLAMA PILOTO.
- ⚠ **ADVERTENCIA:** Si el calentador se apaga, no vuelva a encenderlo hasta que ingrese aire fresco. Abra la puerta durante cinco minutos. Si continúa apagándose, hágalo reparar. Mantenga limpios el quemador y el control.
- ⚠ **ADVERTENCIA: LA INTOXICACIÓN POR MONOXIDO DE CARBONO PUEDE CAUSAR LA MUERTE.** Los síntomas tempranos de intoxicación por monóxido de carbono se asemejan a la gripe, con dolor de cabeza, mareos o náuseas. Si tiene estos síntomas, es posible que el calentador no esté funcionando correctamente. Tome aire fresco de inmediato. Haga reparar el calentador.
- ⚠ **ADVERTENCIA: PARA COMPROBAR SI EXISTEN FUGAS DE GAS, NO USE FOSFOROS U OTRO TIPO DE LLAMA.**

**AVISO:** Si el color infrarrojo de la parrilla se oscurece cuando la calefacción del edificio está en funcionamiento, consulte al suministrador de gas cuáles son los tamaños correctos de los conductos para el suministro de gas.

**AVISO:** ¡Este calentador sólo debe instalarse en interiores!

## NOTA

El material fijador de las juntas que se utiliza en el ensamble de este calentador emitirá temporalmente un olor o vapor. Ese estado pasará en aproximadamente 20 minutos y no volverá a ocurrir en lo sucesivo. Consulte sobre ventilación en el Capítulo 2.

## 2. ENCENDIDO DEL CALENTADOR

⚠ **ADVERTENCIA:** Durante el encendido del calentador, asegúrese de que el edificio esté bien ventilado.

- A. Abra la válvula o las válvulas del suministro de gas.
- B. Coloque el termostato en posición de apagado (OFF). Consulte la Figura 8

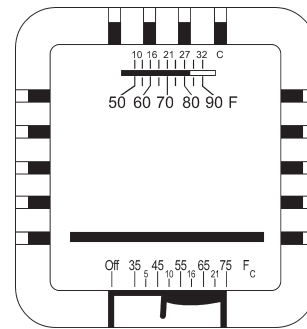


FIGURA 8. CONTROLES DEL TERMOSTATO

- C. Si la perilla de control manual de gas que se encuentra en la válvula de gas no está en posición de apagado, oprímala parcialmente y rótelas hasta la posición OFF. Consulte la Figura 9.

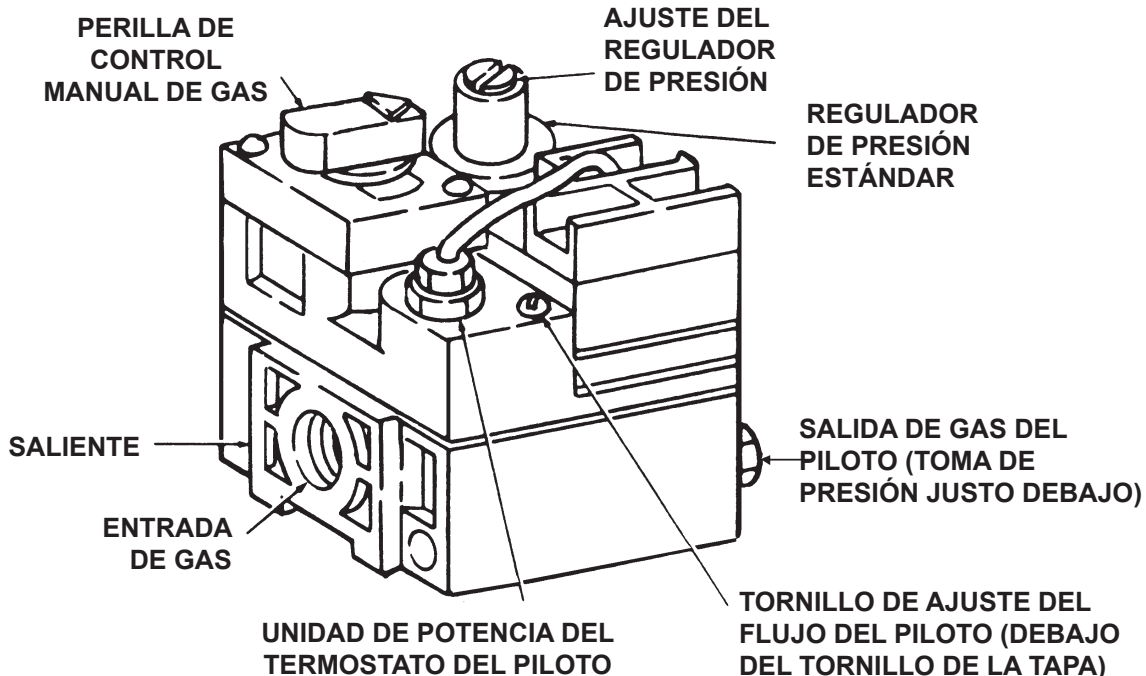


Figura 9. Componentes de la válvula de gas

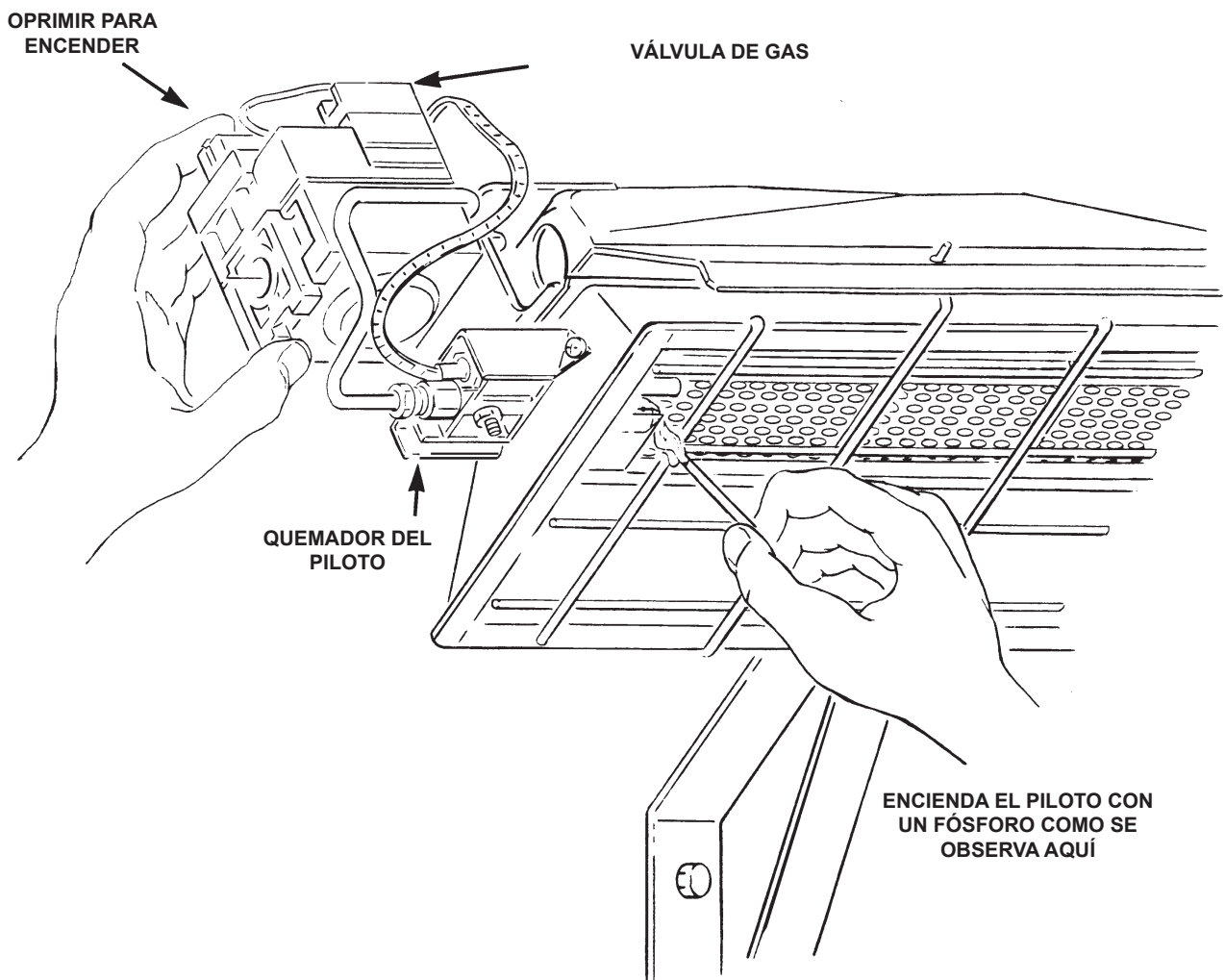
- D. Espere cinco minutos para que salga el gas que se haya acumulado en el quemador principal (especialmente importante después de la instalación).
- E. Gire la perilla de control manual de gas hasta la posición piloto (PILOT).
- F. Oprima la perilla de control manual de gas. Con un fósforo, encienda la llama piloto. Consulte la Figura 10. Mantenga oprimida la perilla durante aproximadamente 30 segundos para que el aire que haya en las líneas de gas pase por el piloto y, cuando éste esté encendido, deje que la termocupla se caliente lo suficiente para activar la válvula de seguridad en posición abierta.
- G. Suelte la perilla de control manual de gas y gírela hasta la posición de encendido (ON).
- H. Configure el termostato a la temperatura deseada.

## NOTA

Durante el encendido inicial del calentador, es posible que salga del calentador un olor y quizás un poco de vapor. Es el material fijador de las juntas que emana ese olor o vapor. Después de aproximadamente 20 minutos, el olor desaparece y no se vuelve a producir.

## 3. APAGADO DEL CALENTADOR

- A. Gire el termostato hasta la posición de apagado (OFF).
- B. Gire la perilla de control manual de gas que se encuentra en la válvula de gas hasta la posición piloto (PILOT).
- C. Oprima parcialmente la perilla y rótelala hasta la posición de apagado (OFF).
- D. Cierre las válvulas de suministro de gas.



**Figura 10. Encendido del quemador del piloto**

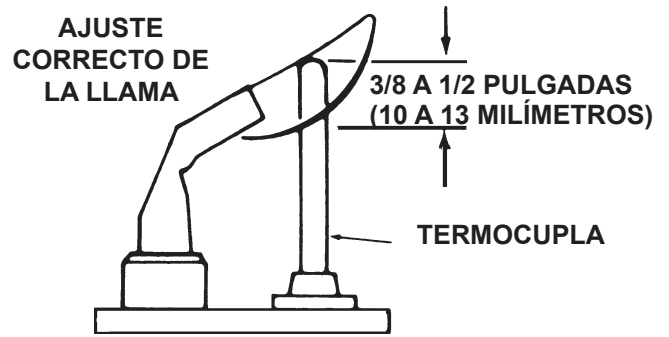
# CAPÍTULO IV INSTRUCCIONES DE MANTENIMIENTO PARA EL OPERADOR

## 1. REPARACIÓN DE AVERÍAS

- A. En la Tabla 4 se mencionan los problemas habituales que puede tener durante el funcionamiento o mantenimiento del calentador.
- B. Para obtener más información, consulte el boletín informativo técnico de Honeywell (Honeywell Field Bulletin) incluido en la caja del calentador.
- C. En caso de no obtener resultados después de intentar todas las soluciones mencionadas, llame a la fábrica.

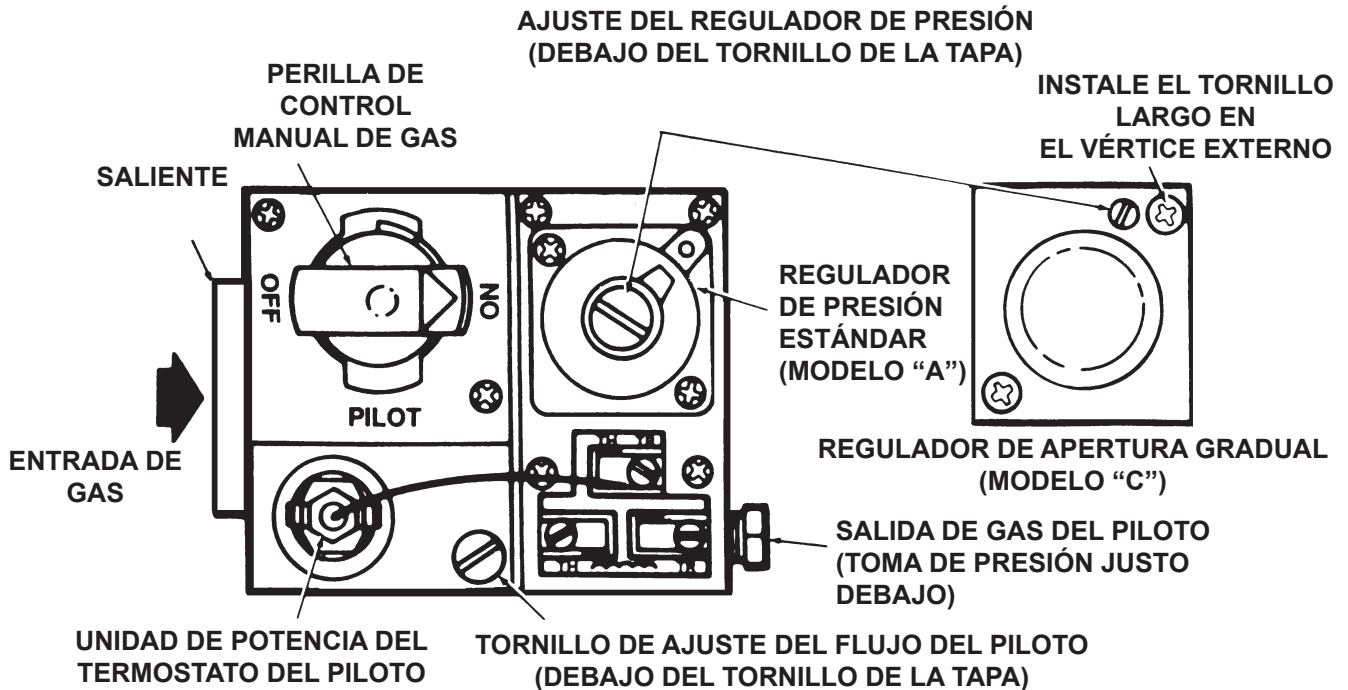
## 2. AJUSTE DE LA LLAMA DEL PILOTO

La llama del piloto debe envolver  $3/8$  a  $1/2$  pulgadas (10 a 13 mm) de la punta de la termocupla o del generador. Consulte la Figura 11. Para ajustarla:



**Figura 11. Ajuste correcto de la llama**

- A. Retire el tornillo de ajuste de la tapa del piloto. Consulte la Figura 12.
- B. Gire el tornillo de ajuste interno hacia la derecha ↻ para bajar o hacia la izquierda ↻ para subir la llama del piloto.
- C. Después de ajustar la llama, cambie siempre el tornillo de la tapa y ajústelo fuertemente para que funcione correctamente.



**Figura 12. Vista superior del control de gas de capacidad estándar**

**Tabla 4. Cuadro de reparación de averías**

A continuación se presentan en forma de cuadro los síntomas de un sistema que no funciona debidamente, los posibles defectos que provocan estos síntomas y las medidas correctivas propuestas. La información del cuadro se presenta con la suposición de que el calentador recibe la presión de gas adecuada y que el procedimiento de encendido se lleva a cabo según se indica en la placa adjunta al calentador.

SÍNTOMAS	CAUSAS	SOLUCIONES
el quemador se apaga muy lentamente	bloqueo parcial del orificio del piloto piloto no ajustado	cambiarla reajustar piloto
el quemador se apaga muy lentamente color infrarrojo se mantiene oscuro	orificio del quemador parcialmente bloqueado	cambiarla
retroceso de la llama del quemador (ruido crepitante durante el funcionamiento y la superficie de la parrilla de cerámica se oscurece)	presión de gas baja  quemador roto	corregir presión de la línea o llamar al suministrador de gas  cambiarla
la parrilla de cerámica o el quemador se llenan de hollín (cuando el calentador es nuevo o después de limpiarlo)	primero controle si el orificio del quemador está roto  si el orificio del quemador no está roto entonces verifique si el colector está rot	cambiarlo si está roto  cambiarla
no se enciende el piloto	el orificio del piloto está bloqueado  la llave de gas no está en posición  es posible que el tornillo de ajuste del flujo de gas del piloto esté cerrado	cambiarla  se debe girar la perilla de la llave de gas hasta piloto y oprimirla  abrirlo y ajustarlo (consulte la Figura 12)
la llama piloto se enciende pero se apaga	termocupla defectuosa  control defectuoso	cambiarla  cambiarla
el piloto queda encendido pero el quemador principal no se enciende	cable suelto o cableado incorrecto  control defectuoso orificio del quemador bloqueado	ajustar las conexiones, verificar el diagrama de cableado  cambiarla limpiar orificio o cambiarlo
no enciende	no hay suministro de gas aire en la línea de gas conexiones de cables sueltas conexiones de cables sucias	abrir válvulas manuales purgar la línea de gas ajustar conexiones de cables limpiar los terminales y ajustarlos

### 3. CAMBIO DE LA UNIDAD DE LA VÁLVULA DE GAS

- A. Retire los dos cables de la unidad de la válvula de gas que se encuentran en la válvula de control de gas rotulados "PP".
- B. Desatornille la válvula de gas del conducto de gas.
- C. Vuelva a conectar los cables de la válvula de gas y la unidad a los terminales "PP". Asegúrese de dejar el cable del termostato en un terminal.

### 4. FRECUENCIA DE LOS CONTROLES DEL OPERADOR

**Uso intermitente.** Los artefactos que se usan por temporada deben controlarse antes de apagarlos y nuevamente antes de su próximo uso.

**Ambiente con polvo, humedad o corrosión.** Dado que estos ambientes pueden hacer que el control de gas se deteriore más rápidamente, es necesario verificar el sistema con más frecuencia.

Se debe cambiar el control de gas si:

- A. No funciona bien al realizar el control o la reparación de averías.
- B. Cuesta girar u oprimir la perilla del control de gas, o si no se levanta al soltarla.

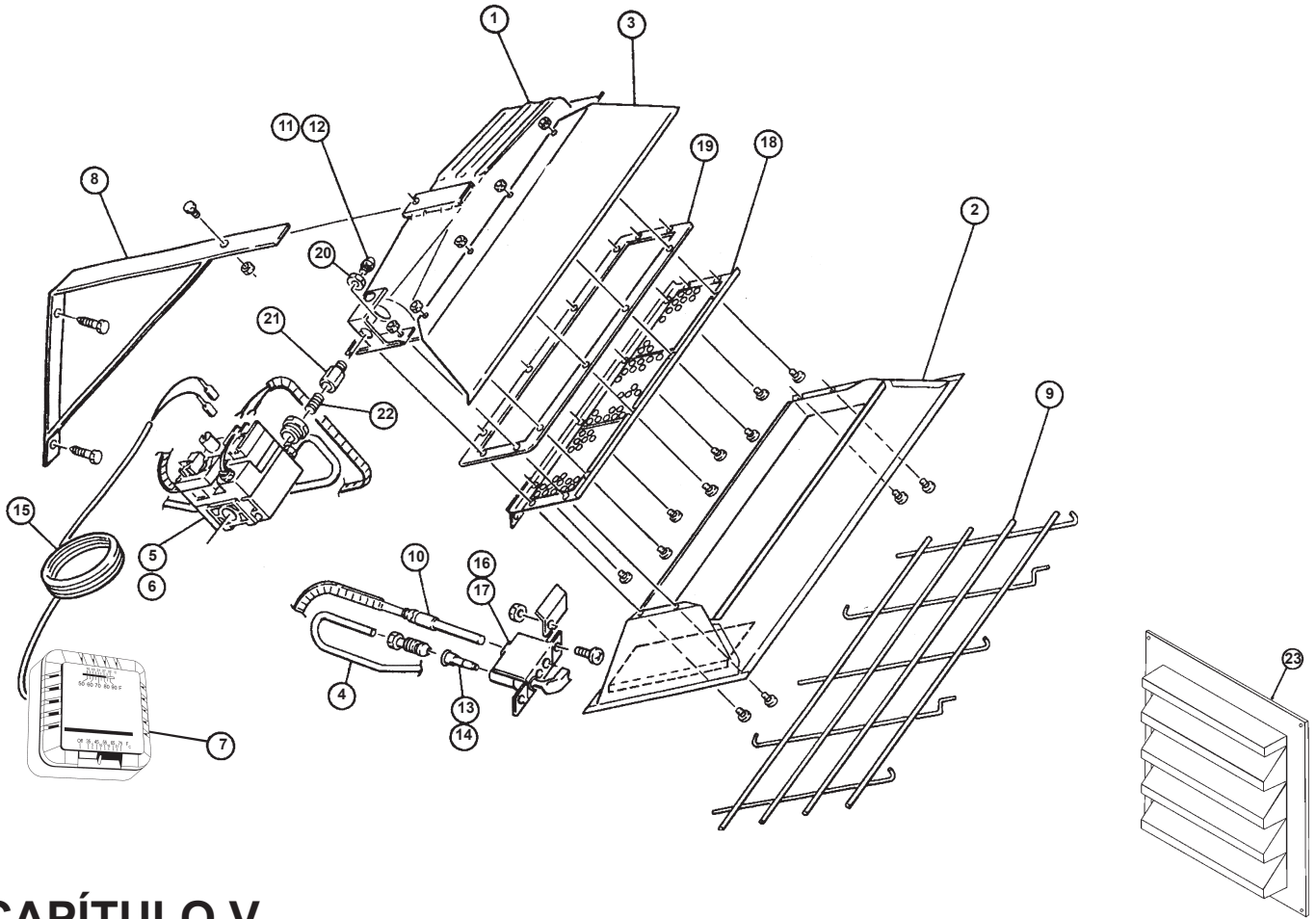
## **SI DEBE REPARARLO,**

### **NO DEVUELVA EL ARTEFACTO A LA TIENDA**

Para obtener información sobre reparación, llame a nuestro número gratuito: 1-866-447-2194.

Nuestro horario de atención es de lunes a viernes, de 8:00 a 17:00, hora del este

En todas las comunicaciones recuerde incluir el número de modelo, la fecha de compra y la descripción del problema.



## CAPÍTULO V LISTA DE REPUESTOS

ARTÍCULO	EXISTENCIA	DESCRIPCIÓN	ARTÍCULO	EXISTENCIA	DESCRIPCIÓN
1	02529A	Ensamble completo del quemador	13	05576	Orificio, Piloto, Gas natural
2	00377A	Ensamble del reflector	14	05573	Orifice-Piloto-Gas Propano
3	01357	Deflector de gas de combustión	15	10358	Cable del Termostato
4	16451	Tubo del piloto	16	11406	Quemador del Piloto, Gas natural
5	00024	Válvula de gas, gas natural	17	11405	Quemador del piloto, Gas Propano
6	00025	Válvula de gas, gas propano	18	04435A	Repuesto de la parrilla
7	10367	Termostato	19	12369	Junta
8	14405	Soporte para pared	20	05354	Contratuerca
9	04432	Protector	21	05351	Conector
10	09360	Termocupla/Generador	22	98593	Boquilla de cierre de 3/8"
11	05447	Orificio, quemador, gas natural	23	19014	Boca de ventilación de entrada
12	05455	Orifice-Burner-Propane Gas			

KITS DE CONVERSIÓN OPCIONAL	
EXISTENCIA	DESCRIPCIÓN
F200293	NG to LP CONVERSIÓN
F200294	LP to NG CONVERSIÓN

**PARA TODOS LOS RECLAMOS DE GARANTÍA SE DEBE PRESENTAR LA FACTURA DE COMPRA**

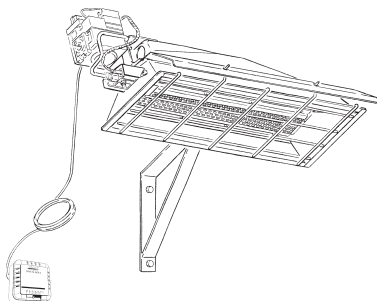


# INSTRUCCIONES DE USO Y MANUAL DEL USUARIO

Modelo #

HS25NG  
HS22LP

**LEA LAS INSTRUCCIONES DETENIDAMENTE:** Lea y siga todas las instrucciones. Guarde las instrucciones en un lugar seguro en caso de que necesite consultarlas en un futuro. No permita que nadie que no haya leído estas instrucciones ensamble, encienda, ajuste u opere el calentador.



## ADVERTENCIA:

UTILICE ÚNICAMENTE REPUESTOS DEL FABRICANTE. EL USO DE CUALQUIER OTRO REPUESTO PUEDE CAUSAR LESIONES O LA MUERTE. LOS REPUESTOS SÓLO ESTÁN DISPONIBLES DIRECTAMENTE DE FÁBRICA Y DEBEN SER INSTALADOS POR UNA AGENCIA DE REPARACIÓN CALIFICADA.

### PARA OBTENER INFORMACIÓN SOBRE REPARACIÓN O REPUESTOS:

Comuníquese con el vendedor o técnico de reparación de calefacción local.

### PARA OBTENER MÁS INFORMACIÓN:

Llame al número gratuito 866-447-2194 o visite [www.mrheater.com](http://www.mrheater.com)

Nuestro horario de atención es de lunes a viernes de 8:00 a. m. a 5:00 p. m., hora del este.

Tenga a mano el número de modelo, el número de serie y la fecha de compra..

### GARANTÍA LIMITADA

La empresa garantiza que este producto no presenta imperfecciones de material o mano de obra cuando se usa normal y debidamente de acuerdo con las instrucciones de la Empresa, por un período de un año desde la fecha de entrega al comprador. La Empresa, según su criterio, reparará o cambiará los productos devueltos por el comprador a la fábrica, con transporte prepago dentro de dicho período de un año y cuando la Empresa determine que los productos tienen imperfecciones de material o mano de obra.

Si falta una pieza o si hay una pieza rota, llame a nuestro Departamento de atención al cliente al 866-447-2194.

Envíe los Reclamos de garantía al Departamento de atención al cliente, Mr. Heater, 4560 W. 160TH ST., CLEVELAND, OHIO 44135. Incluya su nombre, dirección y número de teléfono, así como los detalles relativos al reclamo. Además, infórmenos la fecha de compra y el nombre y la dirección del vendedor del producto.

La información precedente constituye el alcance total de la responsabilidad de la Empresa. No existe ningún otro tipo de garantía, explícita ni implícita. En particular, no existen garantías de aptitud para un fin específico ni comercialización. La Empresa no será responsable en ninguna circunstancia por el retraso causado por las imperfecciones, los daños indirectos o los cargos de cualquier tipo de gasto realizado sin el consentimiento de la empresa por escrito. La única solución por el incumplimiento de la garantía será el pago de los costos de reparación o cambio. No existe ninguna garantía por problemas similares y ninguna garantía implícita derivada de la negociación o el uso comercial. Esta garantía no será válida para ningún producto que haya sido reparado o alterado fuera de la fábrica de cualquier manera que en nuestra opinión afecte su estado o funcionamiento.

En algunos estados está prohibida la exclusión o limitación de los daños fortuitos o indirectos, por eso es posible que la limitación o exclusión anterior no se aplique a su caso. Esta Garantía le confiere derechos legales específicos y es posible que usted tenga otros derechos que varían según el estado.

Mr. Heater se reserva el derecho de realizar cambios en cualquier momento, sin aviso u obligación, en los colores, las especificaciones, los accesorios, los materiales y los modelos.

REGISTRO DEL PRODUCTO: Gracias por su compra.

Inicie sesión en <http://www.egiregistration.com> para registrar su producto.

Mr. Heater Corporation, 4560 W. 160TH ST., CLEVELAND, OHIO 44135 • 866-447-2194  
Heatstar es una marca comercial registrada de Mr. Heater Inc.  
© 2017, Mr. Heater. All rights reserved



ANSI Z83.6b-1993 CAN 1-2.16-M81

Modelo N. HS25NG/LP

S16

Instrucciones de instalación y manual del usuario